

HEVAC

Control Agencies



HRT-EC-24v RUN TIMER

(240v version also available)

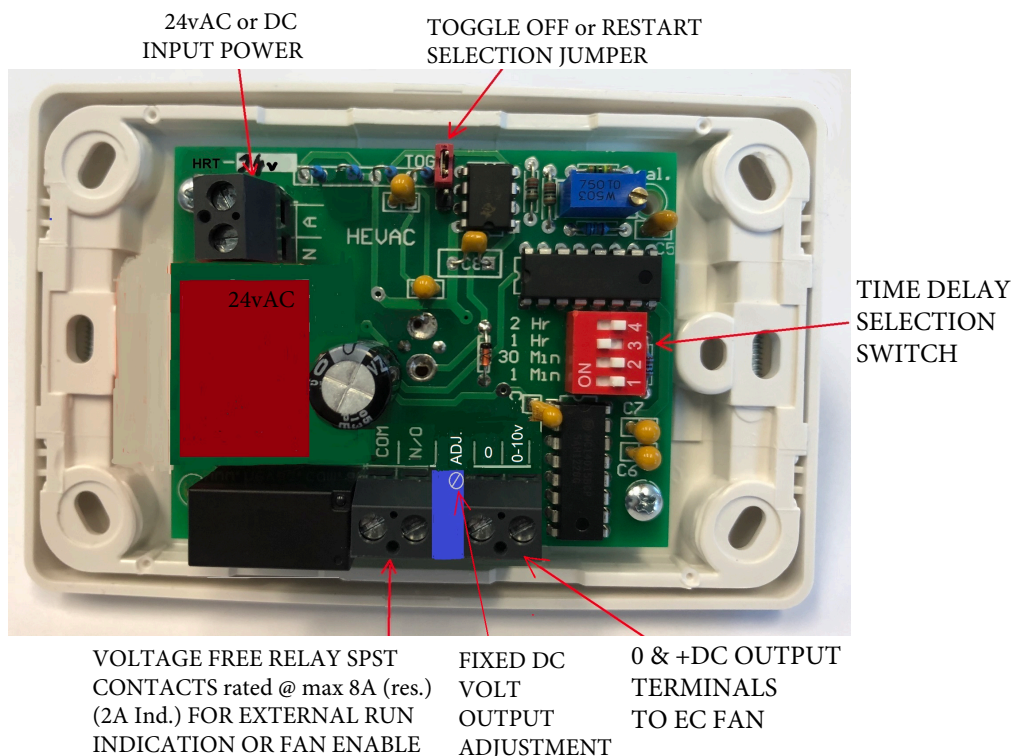
30min. ~ 2Hr. DELAY OFF TIMER
RELAY & (SETTABLE) FIXED DC VOLT OUTPUT
FOR **EC FANS**

- 24vAC or DC Powered. (240vAC version also available)
- Manufactured in Australia to Australian Standards.
- 4 Time delay settings : 1min, 30min, 1Hr, & 2 Hr.
- 8amp (res.) potential free relay output.
- Indication Led flashes during timing.
- Potential Free 240v 8 Amp rated Relay Output.
- Settable Fixed DC volt output to set EC Fan Speed.
- Toggle On/Toggle Off or Restart selection jumper.
- Built using standard CLIPSAL 2000 wall plate.

Typical Application Use :

The control circuit board is directly mounted on the back of a standard Clipsal 2000 wall plate and can be used with Clipsal's standard mounting plates & extension blocks if required. The HRT-EC timer incorporates a front mounted push button / combo lamp which blinks green during timing to indicate the timing function is activated. A version is also available (HRT-EC-HILO) that allows low / high dc volt output but without the relay output. The timer can be set for Toggle ON/OFF or Restart if the push button is pressed again via an on board selector jumper. The timer has a 4 way dip selection switch to set the run time delay as 1 minute, 30 minutes, 1 hour or 2 hours. Typical applications include : Meeting room A/C Run Timer, Stairway Lighting Timer or Temporary Vent Fan or F/A Damper Motor Timer.

ADJUSTMENTS & INDICATION LEGEND



ELECTRICAL CONNECTIONS

