



CONTROL AGENCIES PTY.LTD.

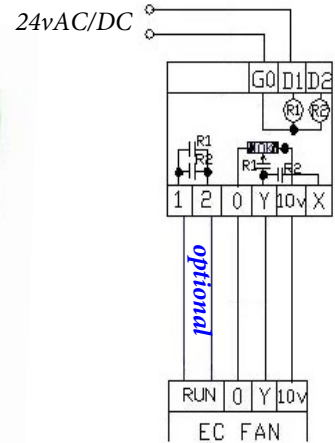
EC FAN CONTROL SELECTION GUIDE 2025

EC FAN CONTROL SELECTION GUIDE 2025

SECTION 1 : MANUAL SPEED CONTROL SWITCHBOARD MOUNT

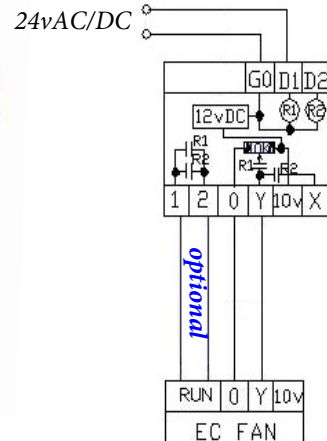
AWEC-1

24v POWERED 0-10vDC OUTPUT.
 3 wire control. *c/w* ONBOARD RELAY
 FOR ENABLE or RUN INTERLOCK.



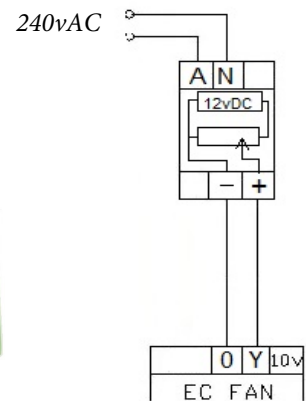
AWEC-1V

24v POWERED 0-10vDC OUTPUT
c/w ONBOARD RUN RELAY.
c/w onboard 12vDC supply for 2 wire
 control.



LT-MECF-240v

240vAC POWERED ADJUSTABLE
 0-10vDC OUTPUT *c/w* OUTPUT
 INDICATOR LED (varies brightness).



YOP4-24V

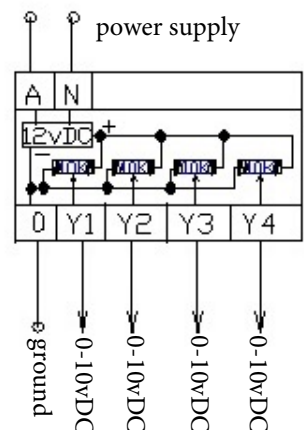
4 x INDEPENDENT 0-10vDC OUTPUTS.
 AVAILABLE IN 24V or 240V POWERED VERSIONS.



24v version

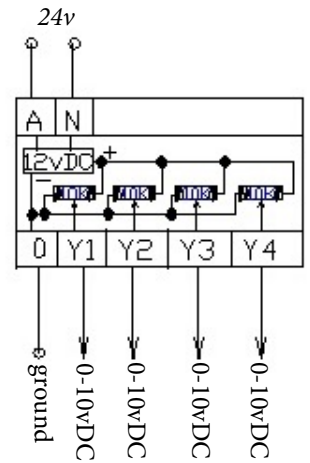


240v version



PYOP4-24V

SWITCHBOARD FACIA / PANEL MOUNT VERSION OF YOP4.
Suitable as 24v powered version only.
 c/w STANDOFFS & KNOBS

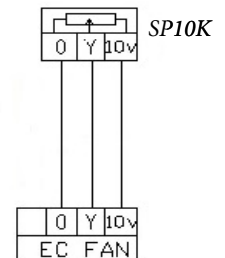


SECTION 2 : MANUAL SPEED CONTROL FIELD MOUNT

TO SUIT CLIPSAL 2000 STYLE WALL PLATE

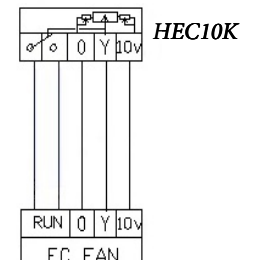
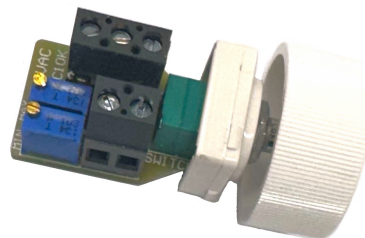
SP10K

10K POTENTIOMETER FITTED TO PCB c/w TERMINALS AND CLIPSAL SWITCH PLATE COUPLING



HEC10K

10K POTENTIOMETER c/w ELECTRICALLY INDEPENDANT SPST SWITCH (OPERATES AT START POSITION.) PLUS MIN./MAX LIMITING TRIM POTS TO LIMIT MAIN POTENTIOMETER OUTPUT RANGE. INTENDED FOR MOUNTING IN STANDARD CLIPSAL SWITCH PLATE.



EURO STYLE WALL SWITCH PLATE 86mm SQ.

ALTERNATIVE MOUNTING ON STANDARD CLIPSAL PLATE ON REQUEST

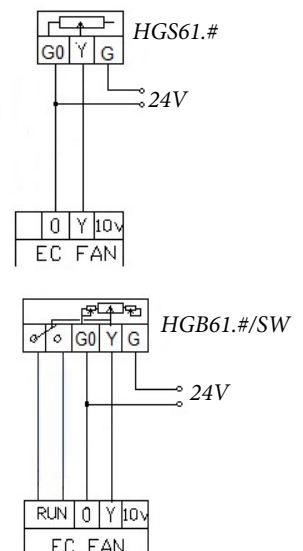
HBSG21.#

RESISTANCE POTENTIOMETER / VARIOUS SCALES & RESISTANCE VALUE & RANGE AVAILABLE

HBSG61.#

24V POWERED 0-10V OUTPUT. / VARIOUS SCALES

HBSG61.#/SW. AS ABOVE c/w ISOLATED ON/OFF SWITCH.

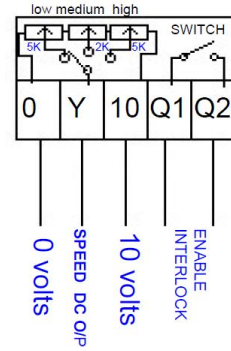


EC-3SPD

NEW



ALTERNATIVE EC FAN CONTROL WITH NORMAL 0-10vDC SIGNAL OUTPUT PRODUCED AS 3 FIXED (TRIMABLE) OUTPUTS. OUTPUT SELECTED BY A 4 POSITION ROTARY SWITCH.
OFF / LOW / MEDIUM / HIGH



HRT-EC

RUN TIMER FOR EC FANS WITH RELAY & (SETTABLE) 0-10vDC FIXED OUTPUT. 1-8 Hr versions Available.

NEW

HRT-EC-HI/LO

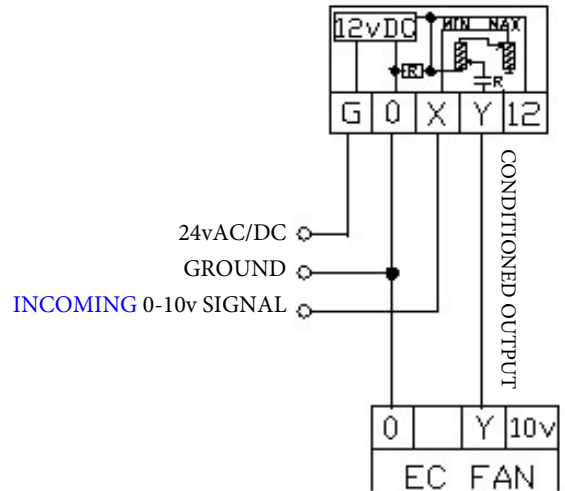
SIMILAR TO ABOVE BUT 2 DC OUTPUTS FOR LOW/HIGH SPEED OUTPUT. OUTPUT JUMPS TO HIGH SPEED BY TIMER BUTTON PRESS.



SECTION 3 : SWITCHBOARD MOUNTED 0-10V SIGNAL INTERLOCKS

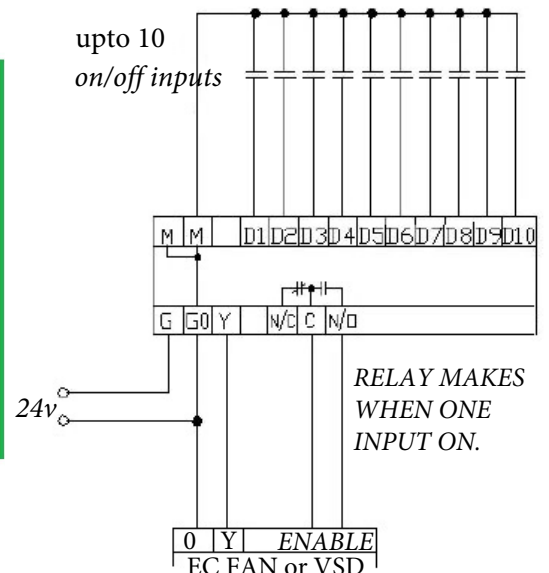
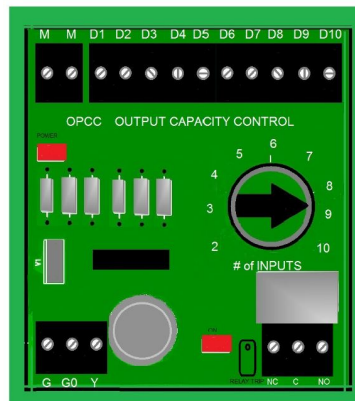
ECF1

MIN. & MAX. LIMITATION OF EXTERNAL 0-10vDC CONTROL SIGNAL (USED WHEN MAIN CONTROLLER CANNOT LIMIT MIN / MAX OF ITS SIGNAL OUTPUT).



OPCC

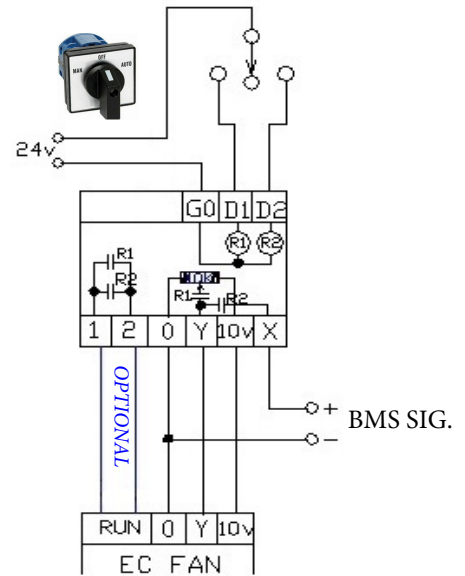
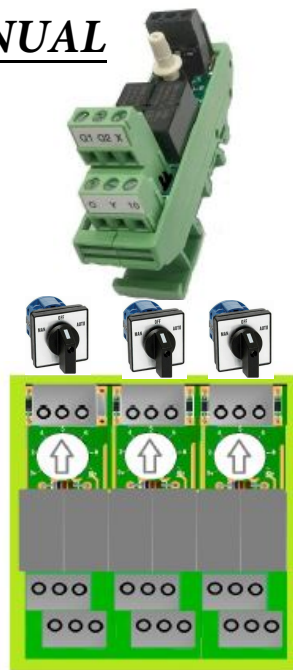
24vAC/DC POWERED INTERFACE MODULE. CONVERTS MULTIPLE ON/OFF INPUTS TO PROPORTIONAL 0-10vDC SIGNAL



AUTO/OFF/MANUAL

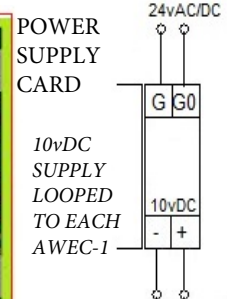
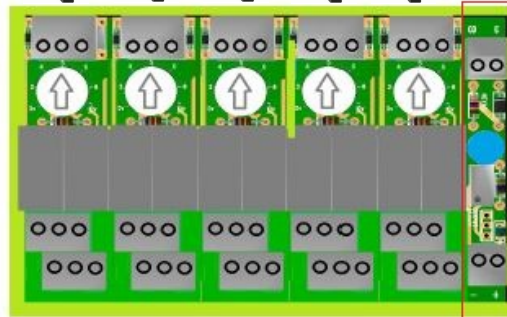
AWEC-1

0-10v SIGNAL SELECT INTERFACE.
USED WITH A 3 POSITION SWITCHBOARD SWITCH (VIA THIS MODULE) TO SELECT EITHER AN EXTERNAL BMS 0-10v SIGNAL or ONBOARD 10K POTENTIOMETER TO CONTROL EC FAN SPEED.



AWEC-3

AS ABOVE BUT TRIPLE AWEC-1 IN ONE MODULE



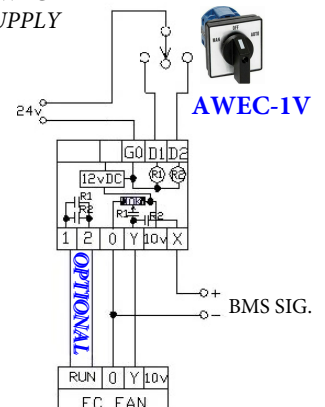
AWEC-5

5 x AWEC-1 IN ONE MODULE c/w ONE COMMON 10vDC POWER SUPPLY CARD.
(saves using 10v supply wires from five EC fans).
24v AC/DC POWERED.

EACH OF THE 5 AWEC1'S WIRED AS PER AWEC-1 BUT USING ONBOARD COMMON 10VDC SUPPLY

AWEC-1V

AS PER AWEC-1 WITH THE ADDITION OF ONBOARD 12vDC SUPPLY FOR 2 WIRE CONTROL. c/w **ONBOARD 12vDC supply**



AWEC-3V & 5V

AS ABOVE BUT THREE or 5 AWEC-1V's IN ONE COMMON HOUSING.

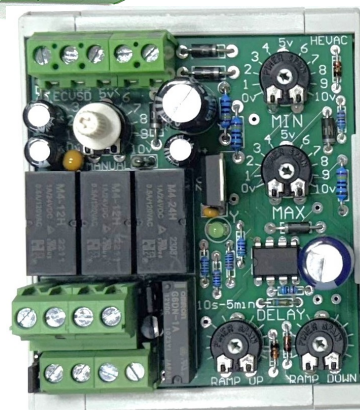
EAWEC-1V NEW

ENHANCED VERSION OF AWEC-1V WITH THE ADDITION OF A RUN PROVING INPUT PLUS 24V RUN & FAULT OUTPUTS (VIA RELAY CONTACTS).



EC-VSD NEW

ALL THE FEATURES OF THE ABOVE EAWEC-1V, PLUS THE ADDITION OF OUTPUT SIGNAL CONDITIONING > INCLUDING RAMP UP & DOWN TIME DELAYS & MIN. / MAX LIMITATION OF OUTPUT SIGNAL, EFFECTIVELY GIVING AN EC FAN THE TYPICAL ADJUSTMENTS ON A VSD.



SECTION 4 : COMMON EC FAN AUTO CONTROL CONCEPTS

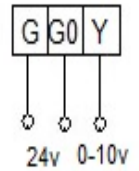
ROOM or DUCT TEMP. & CO2 SENSOR WITH DIRECT 0-10v CO2 CONTROL
 OUTPUT OVER SETTABLE RANGE (ie 600-800 ppm co2) FOR CONTROL OF EC FAN, VSD or F/A DAMPER.



HSMO-DQ

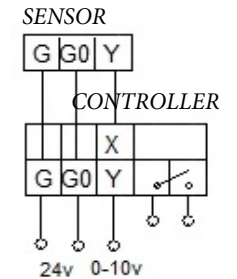


CDT2D40



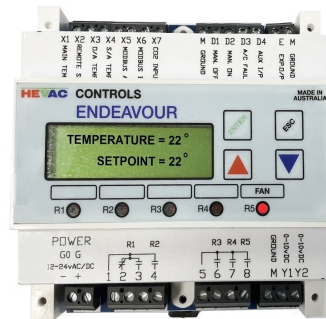
RWD68 + SENSOR

SIEMENS BASED RWD68 UNIVERSAL CONTROLLER WITH REQUIRED SENSOR : TEMP, CO2, VELOCITY or PRESSURE TO CONTROL EC FAN 0-10v + RELAY OUTPUTS



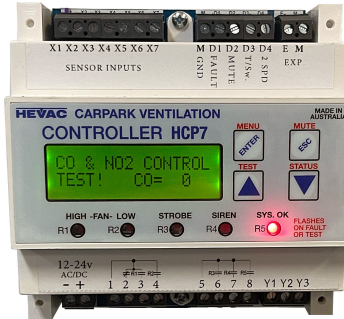
ENDEAVOUR + SENSOR

HEVAC ENDEAVOUR UNIVERSAL CONTROLLER WITH REQUIRED SENSOR : TEMP, CO2, VELOCITY or PRESSURE. MULTIPLE I/O WITH RELAY & 0-10V O/Ps. C/W 365 DAY TIME SWITCH & AHR TIMER.



HCP7

CARPARK CO VENTILATION COMPLIANT TO AS1668.2, CAN R 7 CO or NO2 SENSORS & EXPANDABLE TO 42 SENSORS VIA EXP7 EXPANSION MODULES.



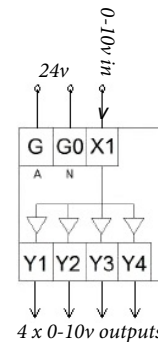
SACO 24 or 240Vpowered versions

SINGLE POINT CARPARK CO VENTILATION SENSOR / CONTROLLER. COMPLIANT TO AS1668.2 . Relay & 0-10v Outputs



HYSA4

0-10vDC SIGNAL DUPLICATOR FOR DRIVING HIGH LOADS CAN TYPICALLY DRIVE UPTO 16 VSD, JET FANS OR EC FANS.



SCM220 NEW

STAIRWELL PRESSURE RELIEF FAN SIGNAL CONDITIONING MODULE, GREATLY AIDS IN SYSTEM COMMISSIONING. TYPICALLY USED IN CONJUNCTION WITH HEVAC PRE-PROGRAMMED SIEMENS RLU222 STAIRWELL PRESSURIZATION CONTROL SYSTEM.

