



EC-3SPD EC FAN 3 SPEED CONTROL STATION

FEATURES

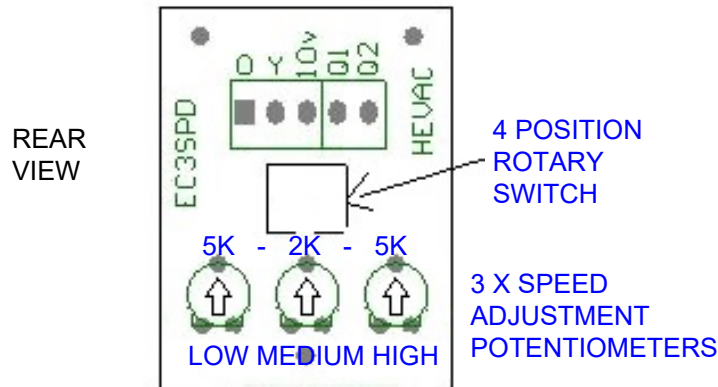
- ❖ SEPARATE DC VOLT OUTPUT ADJUSTMENTS FOR LOW, MEDIUM & HIGH SPEED
- ❖ CIRCUIT BOARD FITS ANY STANDARD WALL SWITCH PLATES.
- ❖ OFF / ENABLE SWITCH ISOLATED FROM 0-10V OUTPUT (VOLT FREE) 24v max.

4 POSITION ROTARY SWITCH TO SELECT
...OFF / LOW / MEDIUM / HIGH AS AN ALTERNATIVE TO TYPICAL
0-100% 10K POTENTIOMETER CONTROL TO PROVIDE 3 SPEED
CONTROL TYPE SIGNAL TO EC TYPE FANS.

EACH SPEED SETTING TRIMMABLE ON REAR CIRCUIT BOARD.
LOW SPEED 0 - 40% (0 - 4 volts)
MEDIUM SPEED 40 - 60% (4 - 6 volts)
HIGH SPEED 60 - 100% (6 - 10 volts)

Technical data

General unit data	Setting range	4 position rotary switch ...OFF, LOW, MEDIUM & HIGH	
	Materials	Cover and mounting plate	Polycarbonate
		Setting knob	Polycarbonate
Environmental conditions	Temperature (housing)	-5...+55 °C	
	Humidity (housing)	5...95 % r. h.	
10vDC Supply load	12K OHMS (5K +2K + 5K)		
Electrical connection Max. cable lengths	Conformity with Australian standards for low voltage connections.		
	Low voltage 10vDC connections for Y output. OFF/ENABLE switch voltage free, max 24v.		
Weight	0.25 mm ² copper	40 m	
	0.50 mm ² copper	75 m	
	1.0 mm ² copper	110 m	
	Incl. package	50 Grams	



TYPICAL 3 SPEED EC FAN CONTROL SPEED CONTROL CONNECTIONS

