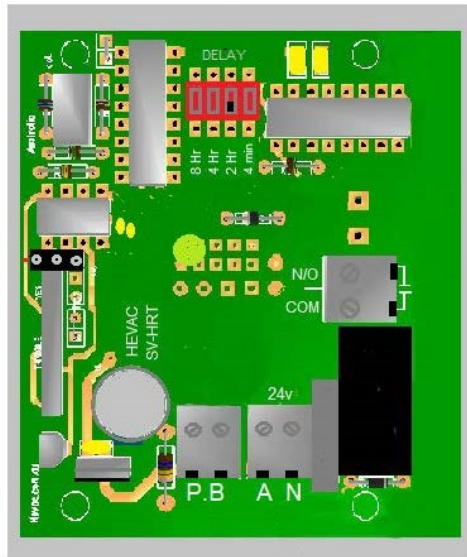


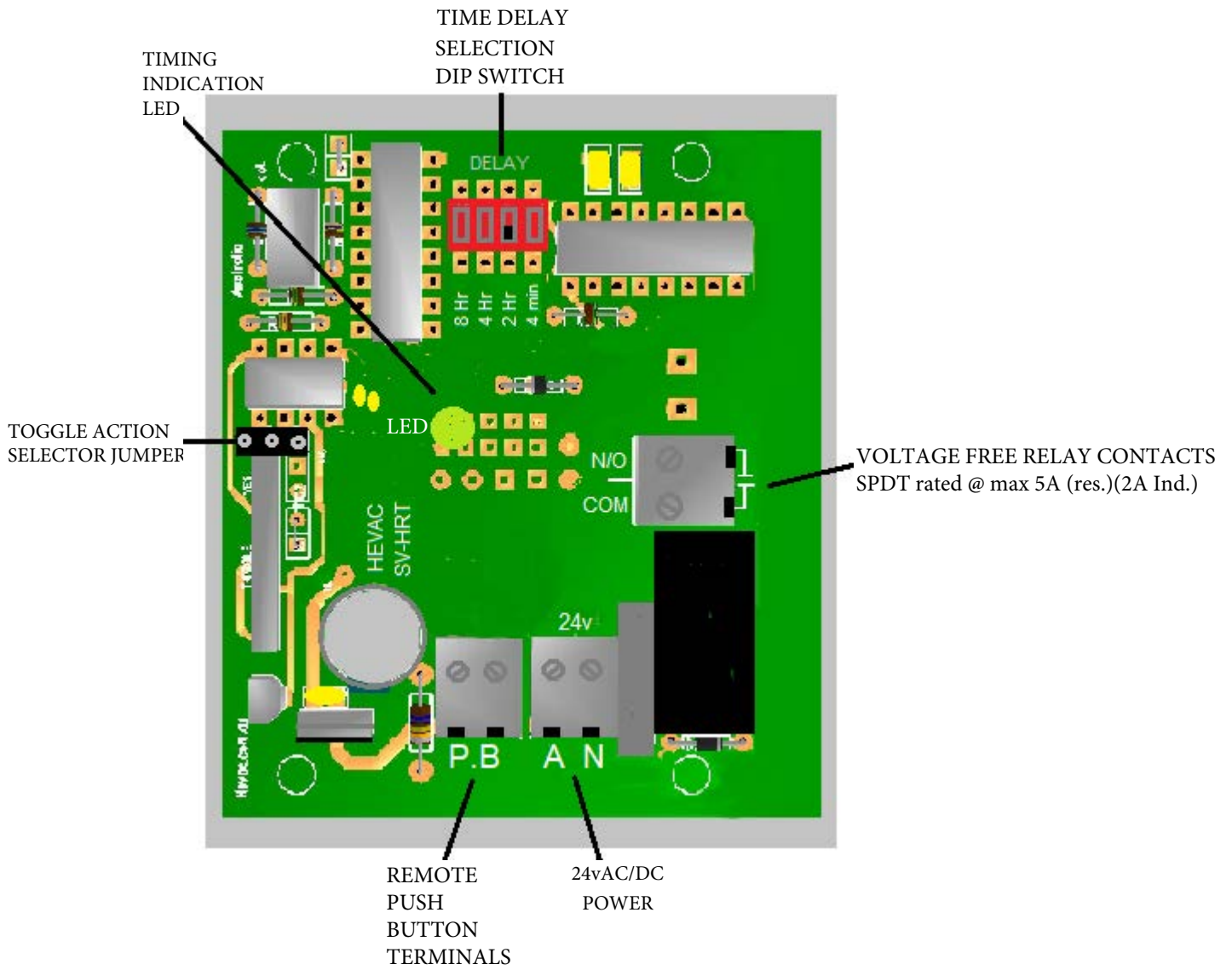
HEVAC

Control Agencies

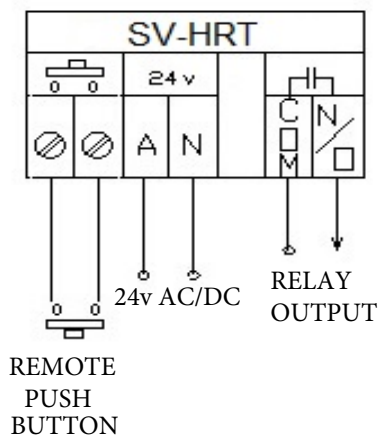


SV-HRT 2-8 Hr TIMER DIN RAIL MOUNT

- 24vAC or DC Powered
- Remote Momentary Push button start
- Repeat Timer P.B push action as Toggle or Reset.
- Manufactured to Australian Standards.
- Flashing Indication LED whilst timing.
- Potential Free 240v 5 Amp(res.) rated Relay Outputs
- 4 selectable timing periods : 4 min., 2Hr, 4Hr, 8Hr
- Onboard Timing Indication LED
- Din rail mount low profile.
- Alternative mounting method available without housing using adhesive pcb standoffs



ELECTRICAL CONNECTIONS



DIMENSIONS

