



Remote Adjuster HBSG-61.#

FEATURES

- ❖ 24v AC/DC POWERED WALL or PANEL MOUNT 0-10vDC REMOTE ADJUSTER.
- ❖ MODERN AESTHETIC TYPE 86 EURO STYLE SWITCH PLATE.
- ❖ VERSIONS WITH ON/OFF SWITCH & VARIOUS SCALE PLATES AVAILABLE.
- ❖ IDEAL EC FAN SPEED CONTROL STATION or REMOTE TEMPERATURE SETPOINT.

SCALE & OPTIONS HBSG-61.# / SW

- .1 18 - 25c temperature scale
- .2 0 - 50c temperature scale
- .3 8 - 32c temperature scale
- .4 No scale - with eleven evenly spread graduations
- .5 0 - 100% scale
- .6 0-100 % scale with OFF position
- .7 Cooler / Warmer (blue / red) coloured tapered slashes

/ SW On /Off switch (potential free operates) at 10% of rotation (max. 1 amp / 24 volt)

ORDERING EXAMPLES

HBSG-61.1 0-10v output with 18-25c scale
HBSG-61.3 0-10v output with 8-32c scale
HBSG-61.6 / SW 0-10v output with 0-100% scale + On/Off switch

Technical data

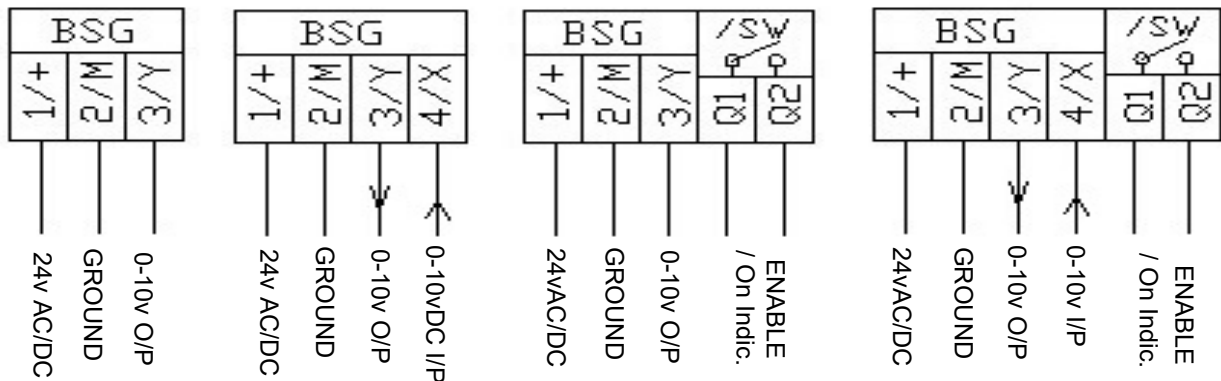
General unit data	Setting range	300 degrees mechanical rotation / active range = ~250 degrees	
	Materials	Cover and mounting plate	Polycarbonate
		Setting knob	Polycarbonate
Environmental conditions	Color	Cover plate	SATIN WHITE
		Setting knob	WHITE
	Operation	Climatic conditions	
		Temperature (housing)	-5...+55 °C
		Humidity (housing)	5...95 % r. h.
		Transport	to IEC 721-3-2
Norms and standards		Climatic conditions	class 2K3
		Temperature	-25...+70 °C
		Humidity	<95 % r. h.
		Mechanical environmental conditions	class 2M2
		Safety class	
Electrical connection		Degree of protection (built-in)	
		Conformity with	-
		low voltage maximum 24vAC or DC connections	
Max. cable lengths		0.25 mm ² copper	40 m
		0.50 mm ² copper	75 m
		1.0 mm ² copper	110 m
	Weight	Incl. package	0.06 kg

TYPICAL CONNECTION DETAILS

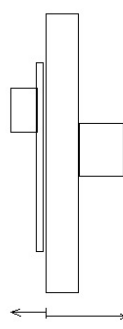
NOTE : HBSG-61 input terminal 4 (0-10v) hi-signal selects with knob position for final 0-10v output on terminal 3. HBSG61 also incorporates Min. & Max output limiting adjustment potentiometers, but note max output setting does not limit external 0-10v feed into terminal 4 for maximum output.

HBSG-61

HBSG-61/SW



Dimensions & Mounting

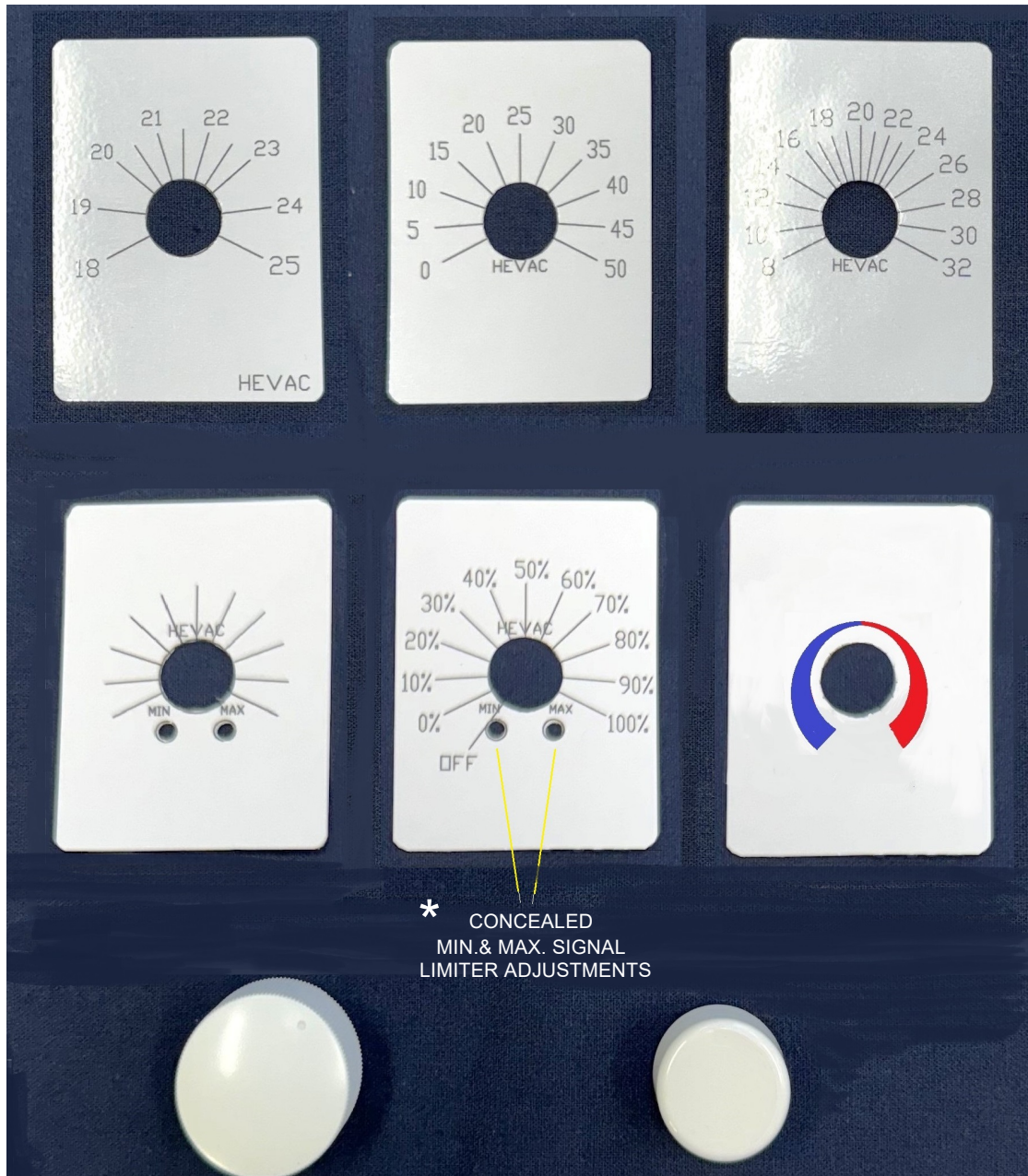


86mm Square Wall Mount , Also Compatible with Type 86 Mounting enclosures & brackets

STANDARD AVAILABLE SCALE PLATES & KNOBS

SCALE PLATES AVAILABLE

- .1 18 - 25c temperature scale
- .2 0 - 50c temperature scale
- .3 8 - 32c temperature scale
- .4 No scale - with eleven evenly spread graduations
- .5 0 - 100% scale (not shown - same as .6 but with OFF position)
- .6 0 - 100% scale with OFF position
- .7 Cooler / Warmer (blue / red) coloured tapered slashes



32mm or 23mm knobs available

* *MINimum & MAXimum signal limiter adjustments concealed under 32mm knob (slightly exposed with 23mm knob)*

ON REQUEST BARE CIRCUIT BOARD, SCALES, KNOB & ADHESIVE MOUNTING FEET CAN BE SUPPLIED WITHOUT TYPE 86 PLATE FOR ALTERNATIVE INSTALLATION IN 3RD PARTY PLATE OR PANEL MOUNT ie SWITCHBOARD FACIA.