



HBSG-61.6/SW
PICTURED

HBSG Remote Adjusters

WALL or PANEL MOUNT ADJUSTERS FOR REMOTE SETTING OF TEMPERATURE SETPOINT, SPEED or POSITION CONTROL, TO SUIT A WIDE RANGE OF CONTROLLERS, VSD / EC MOTORS or MODULATING ACTUATORS, AVAILABLE IN PASSIVE or ACTIVE WITH VARIOUS OUTPUTS & SCALE PLATES.

TYPE SUMMARY

- HBSG -10K . #** 0-10K POTENTIOMETER (TO SUIT HEVAC ENDEAVOUR CONTROLLERS OR EC FANS)
- HBSG - 21 . 3** 150 - 650 OHM POTENTIOMETER TO SUIT SIEMENS TEMPERATURE CONTROLLERS (8-32c)
- HBSG - 61 . #** 0-10vDC OUTPUT
- HBSG - 420 . #** 4 - 20mA OUTPUT
- / SW** On /Off switch (potential free) operates at 10% of rotation (max. 1 amp / 24volt)

SCALE PLATES AVAILABLE

- .1** 18 - 25c temperature scale (To suit Hevac Endeavour controller).
- .2** 0 - 50c temperature scale.
- .3** 8 - 32c temperature scale (To suit Siemens controllers as per BSG21.3).
- .4** No scale - with eleven evenly spread graduations.
- .5** 0 - 100% scale.
- .6** 0-100 % scale with OFF position (switch).
- .7** Cooler / Warmer (blue / red) coloured tapered slashes.

ORDERING EXAMPLES

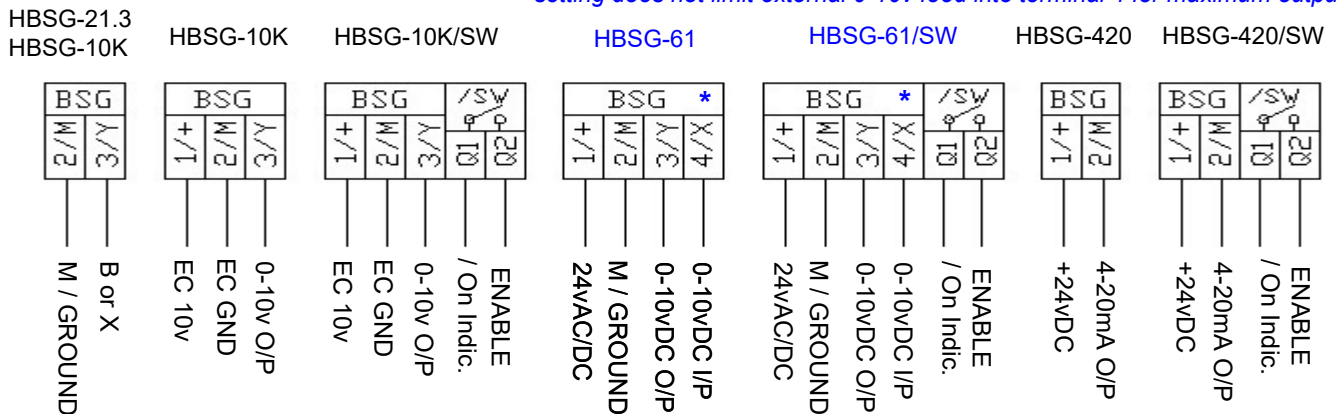
- HBSG-10K.1 0-10K adjuster with 18-25c scale (to suit Hevac Endeavour)
- HBSG-21.3 Passive resistance adjuster with 8-32c scale (to suit Siemens)
- HBSG-61.6/SW 0-10vDC Output with 0-100% scale + On/Off switch
- HBSG-420.2 4-20mA Adjuster with 0-50c scale

Technical data

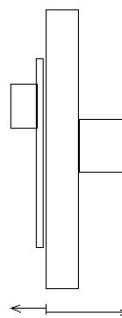
General unit data	Setting range	300 degrees mechanical rotation / active range = ~250 degrees	
	Materials	Cover and mounting plate	Polycarbonate
		Setting knob	Polycarbonate
Environmental conditions	Color	Cover plate	SATIN WHITE
		Setting knob	WHITE
	Operation	Climatic conditions	
		Temperature (housing)	-5...+55 °C
		Humidity (housing)	5...95 % r. h.
		Transport	to IEC 721-3-2
		Climatic conditions	class 2K3
		Temperature	-25...+70 °C
	Humidity	<95 % r. h.	
	Mechanical environmental conditions	class 2M2	
Norms and standards	LOW VOLTAGE c/w OUTPUT PROTECTION		
	-		
Electrical connection	low voltage maximum 24vAC or DC connections		
Max. cable lengths	0.25 mm ² copper	40 m	
	0.50 mm ² copper	75 m	
	1.0 mm ² copper	110 m	
Weight	Incl. package	0.06 kg	

* NOTE : HBSG-61 input terminal 4 (0-10v) hi-signal selects with knob position for final 0-10v output on terminal 3. HBSG61 also incorporates Min. & Max output limiting adjustment potentiometers, but note max output setting does not limit external 0-10v feed into terminal 4 for maximum output.

TYPICAL CONNECTION DETAILS



Dimensions & Mounting



86mm Square Wall Mount , Also Compatible with Type 86 Mounting enclosures & brackets

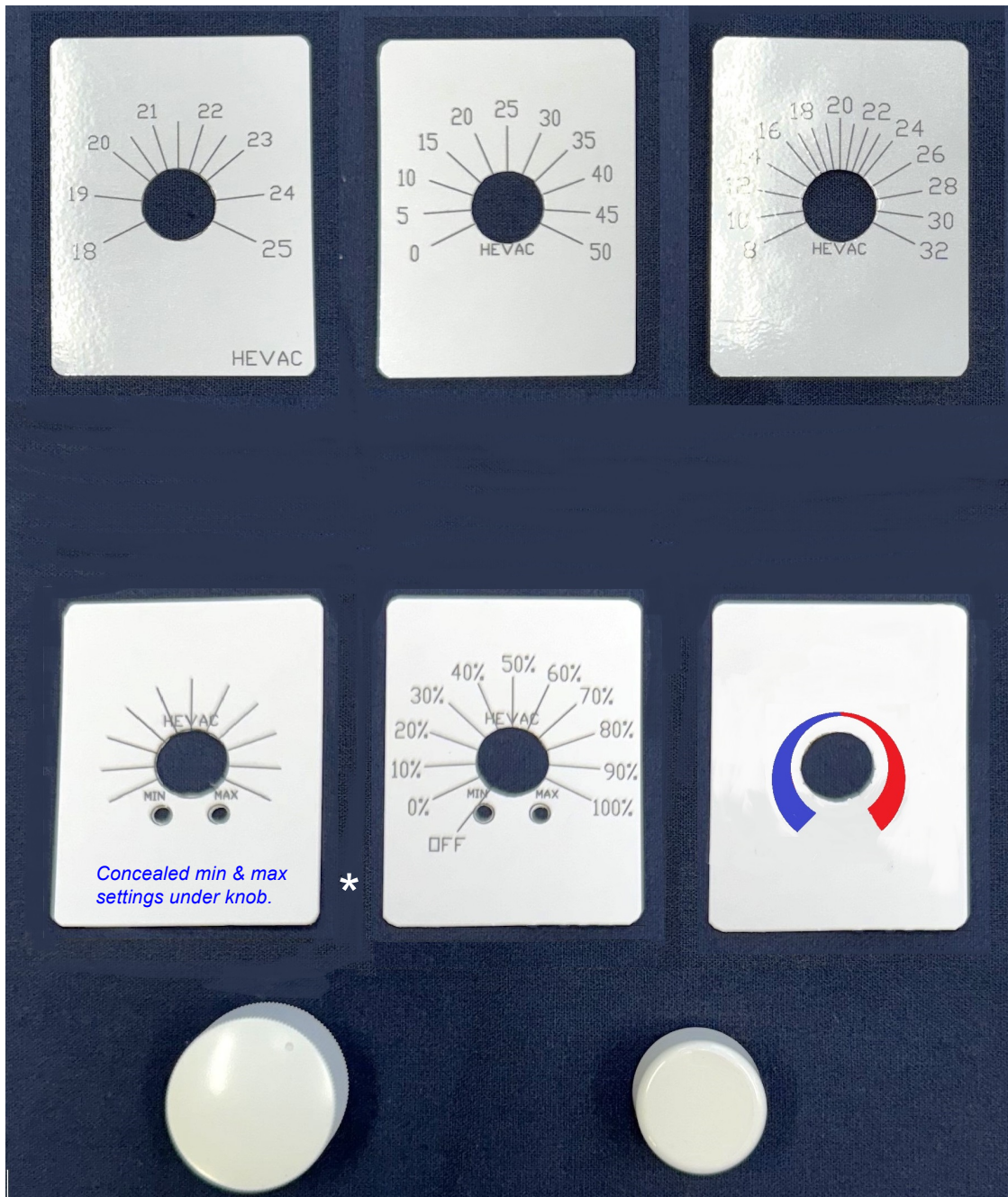
15mm 25mm

STANDARD AVAILABLE SCALE PLATES & KNOBS

can be produced with black text on clear , or black text on white.

- .1 18 - 25c temperature scale (To suit Hevac Endeavour controller)
- .2 0 - 50c temperature scale
- .3 8 - 32c temperature scale (To suit Siemens controllers as per BSG21.3)
- .4 No scale - with eleven evenly spread graduations
- .5 0 - 100% scale
- .6 0 - 100% scale with OFF position (for on/off switch version)
- .7 Cooler / Warmer (blue / red) coloured tapered slashes

* *MINimum & MAXimum signal limiter adjustments concealed under 32mm knob (slightly exposed with 23mm knob)*



32mm or 23mm knobs available

On request bare pcb, adhesive pcb support posts, scale & knob can be alternatively supplied for mounting in 3rd party mounting plate, Please enquire.