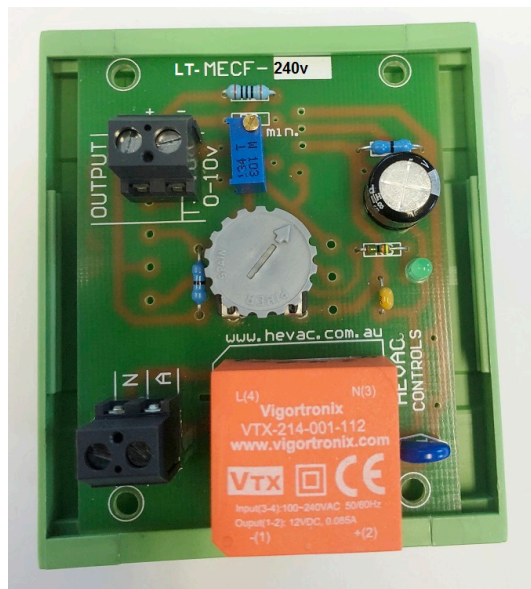




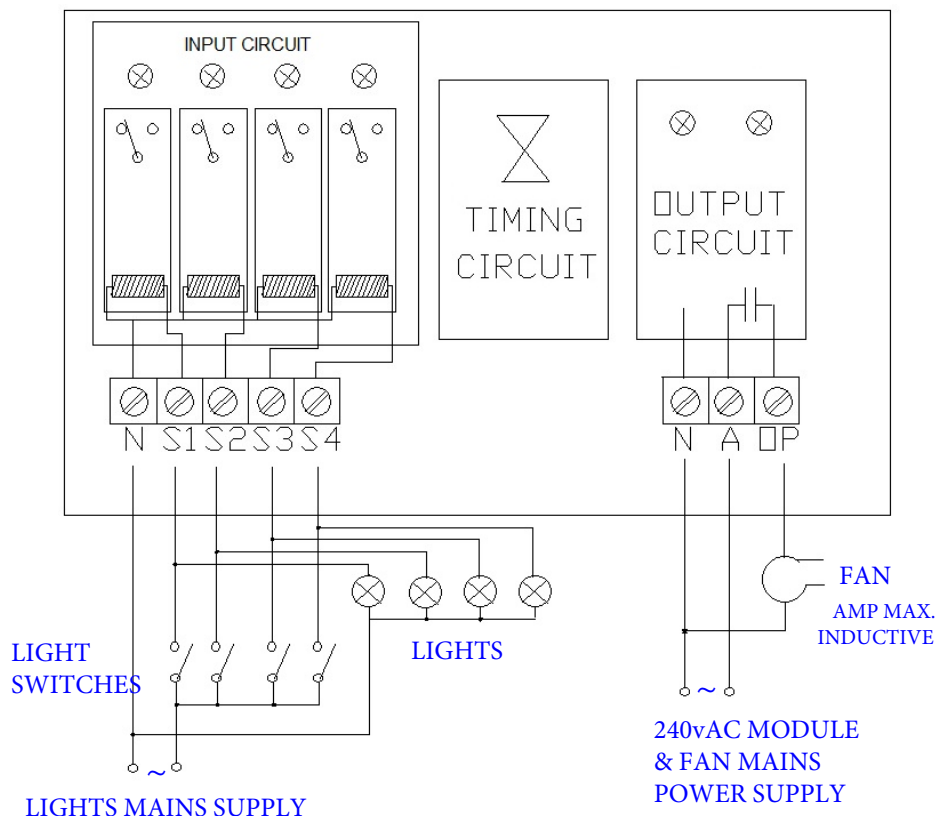
Typical Application Use :

**Adjustable time delay module intended as a RUN-ON timer responding to upto 4 x 240vAC On/Off switch or movement sensor inputs. Typical applications include as a bathroom fan run on timer triggered ON by upto 4 light switches, causing timer run on for the common exhaust fan output after all light switches (or movement triggered light outputs) are off. The 240vac active light switch input can be from a different phase or circuit from the 240v module & output power circuit. Four LEDS indicate input status & 2 output LEDS indicate timing output status. Run on time can be set from 10 seconds to 15 minutes.**

ADJUSTMENTS & INDICATION LEGEND



ELECTRICAL CONNECTIONS



MONITORED 240V SWITCH INPUT

OUTPUT STATUS & RUN ON TIMING OUTPUT INDICATION LED's

TIME DELAY ADJUSTMENT POTENTIOMETER

FAN AMP MAX. INDUCTIVE