



Dampers up to approx. 1.5 m²
Open/Close actuator (AC 230 V)
Control by single-pole contact (single-wire control)

Improved functional safety

The damper actuator has no limit switches and is overload-proof. It stops automatically when it reaches the damper or actuator end stop.

Easy functional check

A functional check of damper operation is simplicity itself: the gearing can be disengaged by simply pressing a pushbutton on top of the case. While the pushbutton remains depressed, the damper can be operated by hand.

Simple installation

The damper actuator is fitted with a universal spindle clamp for quick and easy mounting directly on the damper spindle. The actuator is supplied with an anti-rotation strap for fixing it in position.

Electrical accessories

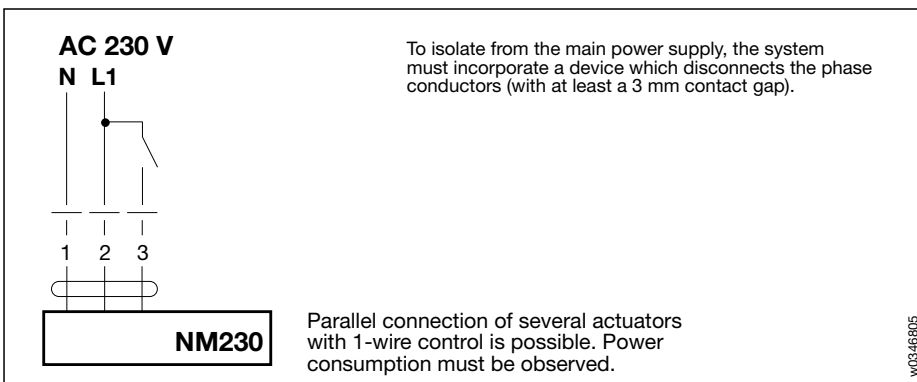
SN1, SN2 Auxiliary switches, page 9

Mounting instructions, page 10

Important

Read the notes about the use and torque requirements of the damper actuators on page 3.

Wiring diagram



Technical data	NM230
Nominal voltage	AC 230 V 50/60 Hz
Nominal voltage range	AC 198... 264 V
For wire sizing	18 VA
Power consumption	2 W
Connecting cable	1 m long, 3×0.75 mm ²
Direction of rotation	selected with L/R switch
Torque	min. 8 Nm (at rated voltage)
Angle of rotation	max. 95° (adjustable by mechanical stops)
Running time	75... 150 s (0...8 Nm)
Sound power level	max. 35 dB (A)
Position indication	mechanical
Protection class	II (all insulated)
Degree of protection	IP 54 (bottom cable entry)
Ambient temperature range	- 20... + 50 °C
Non-operating temperature	- 40... + 80 °C
Humidity test	to EN 60335-1
EMC	CE according to 89/336/EEC, 92/31/EEC, 93/68/EEC
Low Voltage Directive	CE according to 73/23/EEC
Maintenance	maintenance free
Weight	800 g

Dimensions

