

HEVAC

Differential pressure switch 930.8x

with adjustable switching pressure

Applications

Adjustable differential pressure switch for monitoring overpressure, vacuum and differential pressure of air or other non-combustible, non-aggressive gases. Possible fields of application include:

- Monitoring air filters and ventilators
- Monitoring industrial cooling-air circuits
- Overheating protection for fan heaters
- Monitoring flows in ventilation ducts
- Controlling air and fire-protection flaps
- Frost protection for heat exchangers

Versions

With this pressure switch the switching pressure can be adjusted without a pressure gauge using a scaled adjustment knob. The switching differential can also be adjusted with a screwdriver.

Type	Adjustment range for upper switching pressure from to	Switching differential set to	Tolerance for upper and lower switching pressure
930.80	20 300 Pa	10 Pa	± 15%
930.84	30 400 Pa	15 Pa	± 15%
930.83	50 500 Pa	20 Pa	± 15%
930.85	200 1000 Pa	100 Pa	± 15%
930.86	500 2500 Pa	150 Pa	± 15%
930.87	1000 5000 Pa	250 Pa	± 15%

Switching pressure specifications apply to vertical installation which is also the recommended position with pressure-pipe connections pointing downwards. If the switches are installed horizontally with AMP connection terminals uppermost, the switching values are approx. 20 Pa higher.

Maximum operating pressure

10 kPa for all pressure ranges.

Medium

Air, non-combustible and non-aggressive gases.

Temperature range

Medium and ambient temperature from -20°C to +85°C.
Storage temperature from -40°C to +85°C.

Diaphragm material

Silicone, tempered at 200°C, free of gas emissions.
Other materials available on request.



Pressure connections

2 plastic pipe connection pieces (P1 and P2), external diameter 6.0 mm:

- P1 for connection to higher pressure (marked +)
- P2 for connection to lower pressure (marked -)

Housing materials

Switch body made of PA 6.6.
Cover made of PS.

Weight

With cover 150 g
Without cover 110 g

Mechanical working life

Over 10⁶ switching operations.

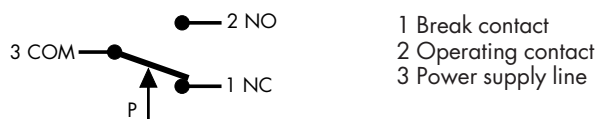
Electrical rating

Standard version max. 1.0 A (0.4 A) / 250 VAC
Low-voltage version max. 0.1 A / 24 VDC

Electrical connections

AMP flat plug 6.3x0.8 mm in accordance with DIN 46244 or push-on screw terminals.
Cable conduit with cable strain relief.

Arrangement of contacts



Protection category

IP 54 with cover
IP 00 without cover

CE Conformity

each depending on technical specification: Low Voltage Directive 2006/95/EC; RoHS Directive 2011/65/EC; Gas Appliance Directive 90/396/EC; ATEX- Directive 94/9/EC; ANSI UL508; CSA.

Accessories

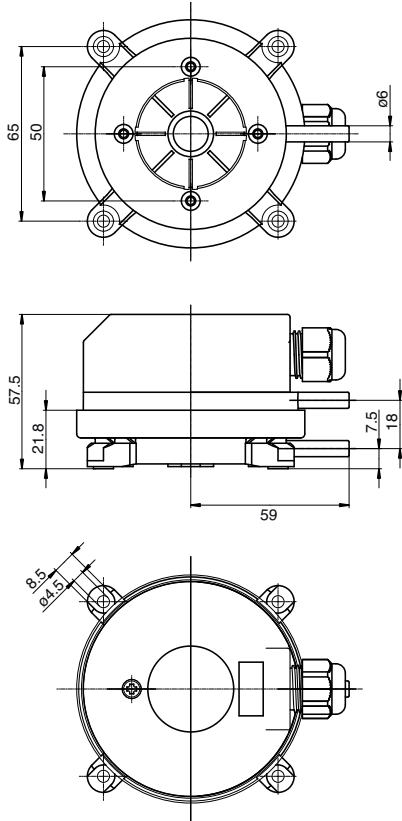
See order matrix.

Differential pressure switches

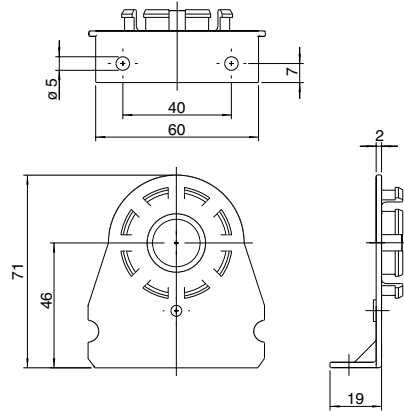
930.8x

with adjustable switching pressure

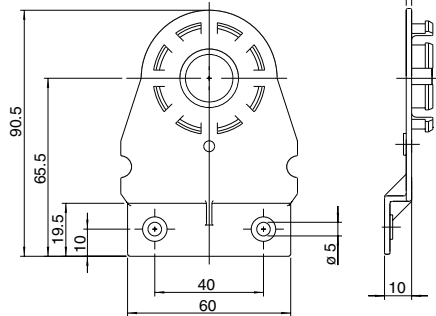
930.8x Climair®



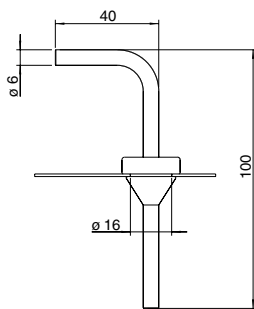
Mounting bracket 6481



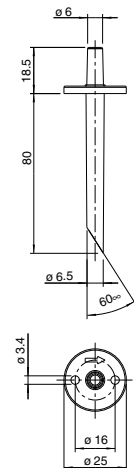
Mounting bracket 6482



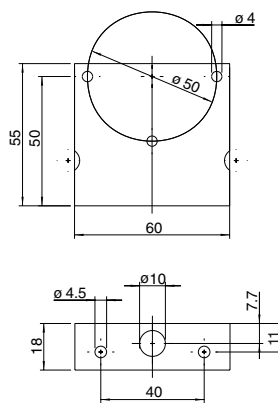
**Climaset®
6550/6556**



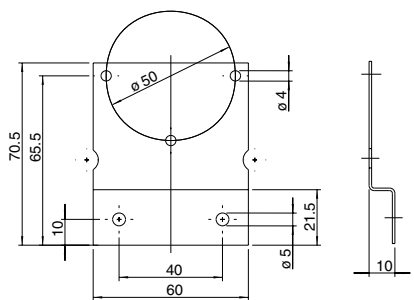
**Climaset®
6555/6557**



Mounting bracket 6401



Mounting bracket 6402



Technical data subject to change without prior notice.



HEVAC Control Agencies Pty Ltd
 Factory 7
 54 Howleys Road
 Notting Hill.
 Victoria. 3168
 Phone: 03 9562 7888
 Fax: 03 9562 7835
www.hevac.com.au
sales@hevac.com.au