



YOP4-24v

240vAC / DC Version available

Panel mount version available

4 X 0-10vDC SIGNAL MODULE

Features

- Australian Made & Designed
- 4 Separate 0-10vDC Outputs
- 2mA (>5k load) capable each output
- Panel Mount Version Available
- 24v AC/DC Version Available
- Powered by either 24vAC or DC
- DIN Rail Mount

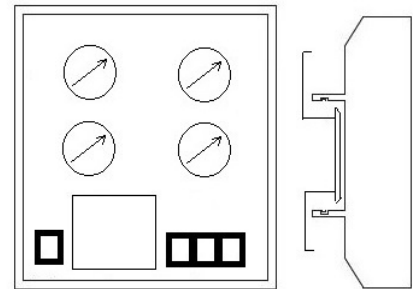
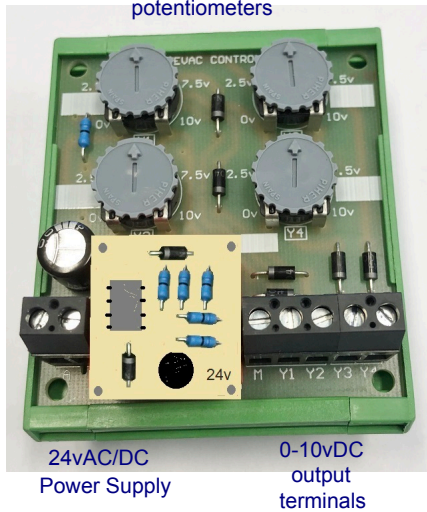
Use

The YOP4-24v is a low cost mains powered din rail mount module for manual 0-10vDC output setting to EC fans or 0-10v controlled motorised dampers etc. The module has 4 separate outputs labeled Y1 to Y4, also each output is produced via a series diode to aid in Hi-Signal Select applications and to help protect against incorrect wiring damage.



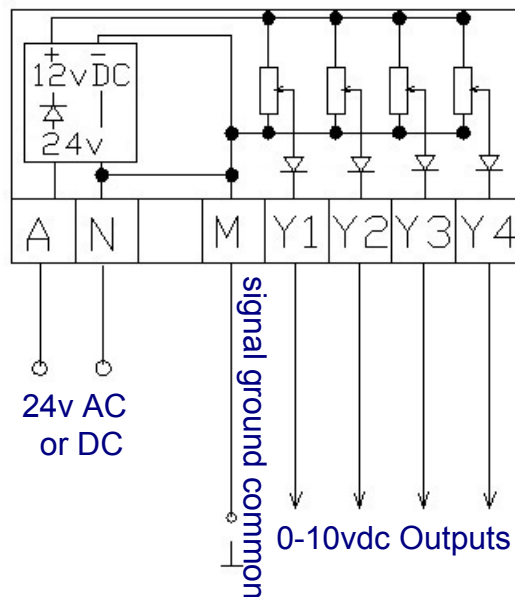
Made in Australia
100% Australian Owned Company

Output setting potentiometers



68mm W X 77mm H X 50mm D

Electrical Connections



Note : The power supply is half wave rectified with the 24v neutral (N) & DC common ground (M) terminal internally linked allowing the 24v neutral to be common to the power supply & the DC control circuits, which is a requirement of most 24vAC 0-10vDC control systems.