



SRT-D-BAP

DIGITAL ROOM TEMPERATURE SENSOR TO SUIT HEVAC ENDEAVOUR CONTROLLER

The SRT-D-BAP is an electronic room temperature sensor complete with setpoint adjustment compatible with the Hevac ENDEAVOUR temperature controllers.

Specifications

24vAC or DC Powered

Temperature sensor output : 4k@25c element
Setpoint 0-10k output ~ 18 -25 setpoint range

Power Consumption: 13 mA max

Sensing Element:

Thermistor

Wiring: 3 wire 16 to 22AWG*

TERMINAL DESIGNATIONS : V+ ACTIVE (AC or DC)
GND 24V GROUND
SEN1 TEMP. SENSOR OUTPUT
SET1 SETPOINT OUTPUT

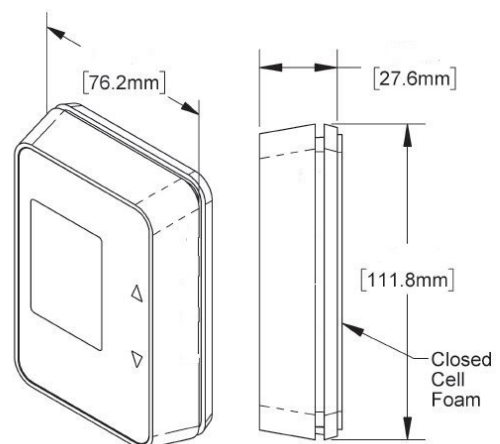
Mounting:

Standard 2x4" J-box or drywall mount (screws provided)

Environmental Operation Range:

Temperature: 32 to 122 °F (0 to 50 °C)

Humidity: 0 to 95%, non-condensing



100% Australian Owned Company

Thermistor Resistance Characteristics

TEMP	OHMS	TEMP	OHMS	TEMP	OHMS	TEMP	OHMS
5.0	6187	14.0	4970	23.0	4145	32.0	3574
6.0	6027	15.0	4862	24.0	4071	33.0	3522
7.0	5874	16.0	4759	25.0	4000	34.0	3472
8.0	5727	17.0	4660	26.0	3932	35.0	3424
9.0	5587	18.0	4565	27.0	3866	36.0	3378
10.0	5454	19.0	4474	28.0	3803	37.0	3334
11.0	5324	20.0	4387	29.0	3742	38.0	3291
12.0	5201	21.0	4303	30.0	3684	39.0	3250
13.0	5083	22.0	4222	31.0	3628	40.0	3211

ELECTRICAL CONNECTION TO ENDEAVOUR

