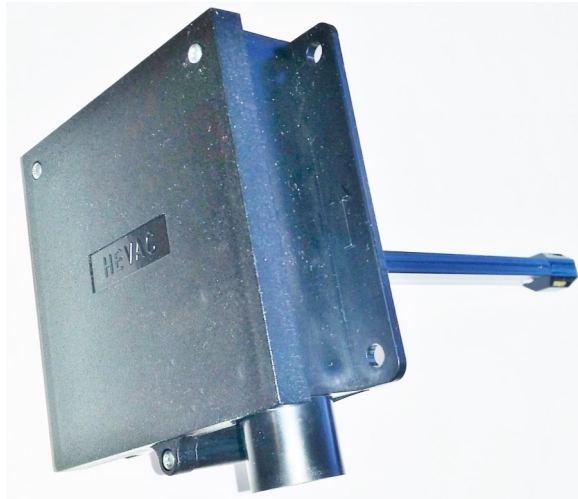

SDT SERIES

SDT- 10KT2

DUCT MOUNTED TEMPERATURE SENSOR



*The **SDT-10KT2** is a DUCT mountable temperature sensor. It is suitable for use with temperature controllers and BMS systems designed to measure temperature via 10k type 11 thermistor elements.*

*Constructed from high impact ABS plastic, the **SDT-10KT2** can be used in all types of Ductwork.*

A 20mm Conduit entry is available on the bottom of the Housing, allowing for easy electrical installation with either solid or flexible conduit.

Features

- Australian made and designed.
- Suitable for mounting in all types of Ductwork.
- Housing designed with large flange for easier mounting.
- Hi-Tech probe allowing for fast or slow air flow sensing.
- IP 54 Enclosure Class Rating.
- Made from high impact UV stabilised Black ABS.

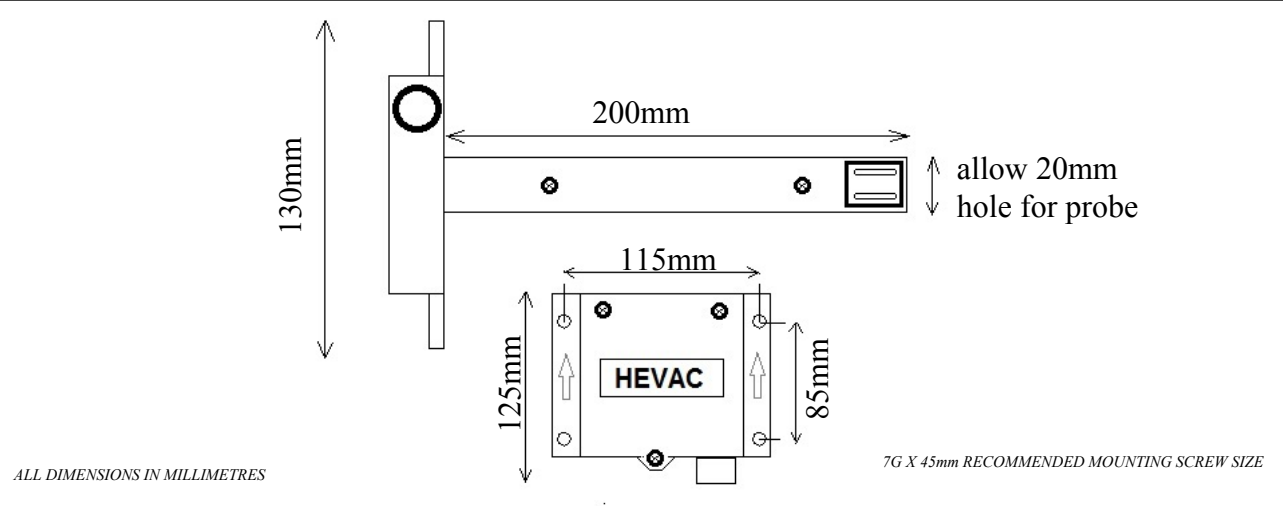
HEAD OFFICE:
54 Howleys Road,
Notting Hill, Vic. 3168
Phone: (03) 9562 7888
Fax: (03) 9562 7835

VISIT OUR WEB SITE AT
www.hevac.com.au
EMAIL
SALES: sales@hevac.com.au
TECHNICAL: technical@hevac.com.au

Technical Specifications

<i>Probe Length</i>	<i>200 Millimetres</i>
<i>Duct Hole Size</i>	<i>20 Millimeters</i>
<i>Thermistor characteristics</i>	<i>NTC 10K ohms at 25 Degrees Centigrade</i>
<i>Housing material</i>	<i>UV Stabilised ABS-Plastic</i>
<i>Housing Colour</i>	<i>Black</i>
<i>Enclosure Class Rating</i>	<i>IP 54</i>
<i>Cable Entry (Solid or Flexible Conduit)</i>	<i>20 Millimetre Conduit Entry</i>

Dimensions



Thermistor Resistance Characteristics

TEMP	OHMS	TEMP	OHMS	TEMP	OHMS	TEMP	OHMS
5.0	25339	14.0	16465	23.0	10923	32.0	7402
6.0	24172	15.0	15698	24.0	10450	33.0	7097
7.0	23016	16.0	15001	25.0	10000	34.0	6807
8.0	21921	17.0	14324	26.0	9572	35.0	6530
9.0	20885	18.0	13683	27.0	9165	36.0	6266
10.0	19872	19.0	13073	28.0	8777	37.0	6014
11.0	18973	20.0	12488	29.0	8408	38.0	5774
12.0	18092	21.0	11943	30.0	8056	39.0	5544
13.0	17257	22.0	11420	31.0	7721	40.0	5325