

## Room sensor for DXR1 room automation stations

QMA1.N30H



**QMA1.N30H offers a range of features and functionalities that work with DXR1 room automation stations to deliver comfort in the required application environments.**

- Incorporated temperature sensor
- Conduit box mounting

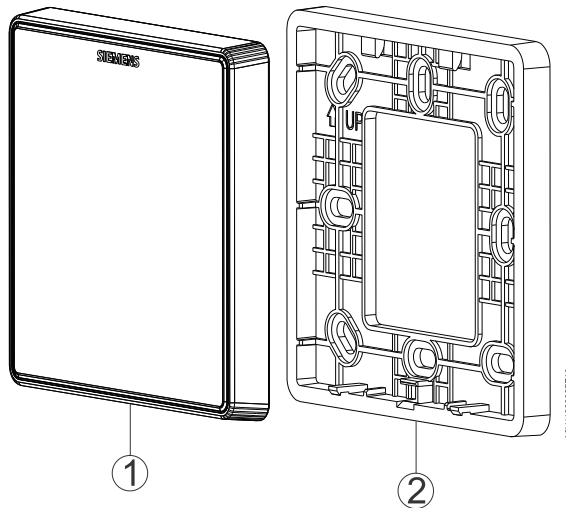
## Use

The room sensor with RJ45 connector can be connected to the DXR1 room automation stations via RJ45 cable. The cable transmits value of the room temperature to the room automation station.

## Mechanical design

The room sensor consists of the following parts:

1. Front module with sensor
2. Mounting frame



## Type summary

Product No.	Stock No.	Description	Quantity
QMA1.N30H	S55499-D464	Room sensor	Single package

## Ordering

When ordering, indicate product number, stock number and description.

## Equipment combinations

Product No.	Stock No.	Description	Datasheet*)
DXR1.M09PDZ-112	S55499-D462	Compact actuating room automation station, BACnet MS/TP	A6V11393929
DXR1.M09PDZ-113	S55499-D463		
DXR1.E09PDZ-112	S55499-D456	Compact actuating room automation station, BACnet IP	A6V11393931
DXR1.E09PDZ-113	S55499-D457		

\* The documents can be downloaded from <http://siemens.com/bt/download> by specifying the Datasheet number as shown in the above table.

## Product documentation


Topic	Title	Document ID:
Installation and commissioning	QMA1..QMX1.. mounting instructions	A6V11393920
CE declaration		A6V11791496
Product environmental declaration		A6V11805936

Related documents such as environmental declarations, CE declarations, etc., can be downloaded at the following Internet address:

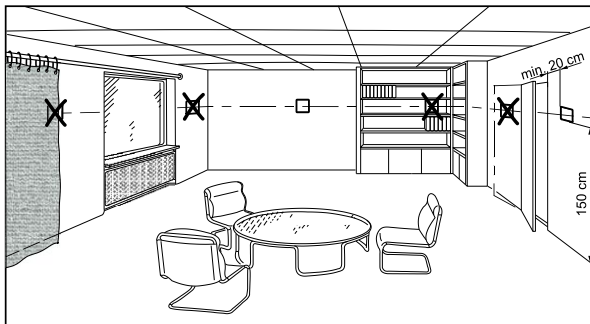
<http://siemens.com/bt/download>

## Notes

### Security

	<b>⚠ CAUTION</b>
	<b>National safety regulations</b> Failure to comply with national safety regulations may result in personal injury and property damage. <ul style="list-style-type: none"><li>• Observe national provisions and comply with the appropriate safety regulations.</li></ul>

### Mounting



- The device is suitable for mounting with conduit box.
- Recommended height: 1.50 m above the floor.
- Do not mount the devices in recesses, shelves, behind curtains or doors, or above or near heat sources.
- Avoid direct sunlight.
- Seal the conduit box or the installation tube if any, as air currents can affect sensor readings.
- Adhere to allowed ambient conditions.

### Installation



**⚠ WARNING**

**No internal line protection for supply lines to external consumers**

Risk of fire and injury due to short-circuits

- Adapt the line diameters as per local regulations to the rated value of the installed fuse.

## Maintenance

The room sensor is maintenance-free. The device can be cleaned with freely available, solvent-free cleaning agents. Do not use mechanical aids (coarse sponges or similar materials).

## Disposal



The device is considered an electronic device for disposal in accordance with the European Guidelines and may not be disposed of as domestic garbage.

- Dispose of the device through channels provided for this purpose.
- Comply with all local and currently applicable laws and regulations.

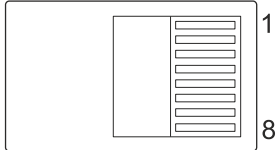
## Warranty

Technical data on specific applications are valid only together with Siemens products listed under "Equipment combinations".

Temperature range	
Operating temperature	0...50 °C
Temperature measurement accuracy	±0.5 °C at 25 °C

Sensing element type
NTC 10k

General	
Dimensions	86 mm × 86 mm × 16 mm
Color	Cover: White
Weight	Net weight 57.4 g Gross weight 114.7 g

Interface		
Customized interface	RJ45 (shield CAT 5-E)	
	<b>Pin</b>	<b>Description</b>
	1	Ground
	2	NTC 10k
	3, 4, 5, 6, 7, 8	Not connected

Ambient conditions and protection classification	
Degree of protection of housing to IEC EN 60529	IP30
Overvoltage category to IEC EN 60730-1	Class III
Climatic ambient conditions <ul style="list-style-type: none"> <li>Transport (packaged for transport) as per EN 60721-3-2</li> <li>Operation as per EN 60721-3-3.</li> </ul>	<ul style="list-style-type: none"> <li>Class 2K3 Temperature -25...70 °C (-13... 158 °F) Air humidity 5...95%.</li> <li>Class 3K5 Temperature -5...50 °C (23... 122 °F) Air humidity 5...95%.</li> </ul>
Mechanical ambient conditions Transport as per EN 60721-3-2 Operation as per EN 60721-3-3	Class 2M2 Class 3M2

Standards, directives and approvals	
EU conformity (CE)	A6V11791496*)
RCM conformity	A6V11791501*)
Environmental compatibility	The product environmental declaration (A6V11805936*) contains data on environmentally compatible product design and assessments (RoHS compliance, materials composition, packaging, environmental benefit and disposal).

\*) The documents can be downloaded from <http://siemens.com/bt/download>.

## Dimensions

