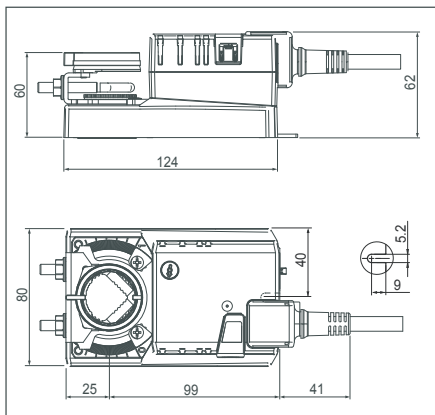
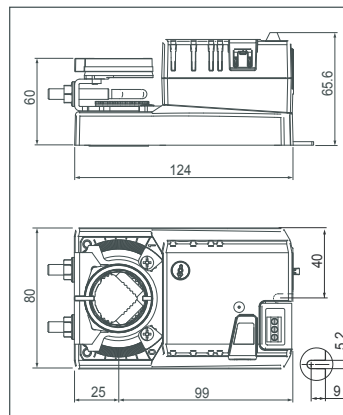
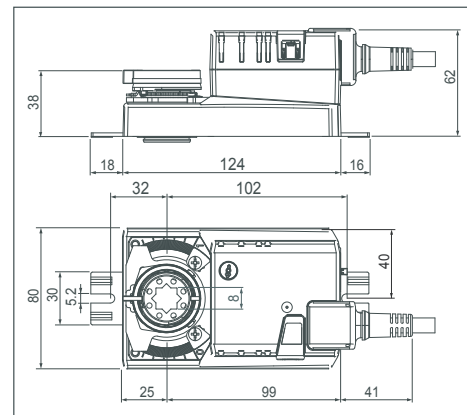


- For operation of air control dampers in HVAC system
- Torque: 10Nm
- Nominal voltage: AC/DC 24V
- Control: Open/Close or 3-point


**Technical data**

Electrical data			
Nominal voltage		AC 24V 50/60Hz, DC 24V	
Nominal voltage range		AC/DC 19.2...28.8V	
Power consumption		1.5W @ nominal torque / 0.2W @ holding	
For transformer sizing		3VA	
Auxiliary switch (-S)		1 SPDT, 1mA...3(0.5)A, AC 250V, adjustable	
Connection -motor		Cable 1m, 3x0.75mm <sup>2</sup>	
-auxiliary switch (-S)		Cable 1m, 3x0.75mm <sup>2</sup>	
-terminals (-T)		Max. 3x1.5mm <sup>2</sup>	
Functional data			
Torque		10Nm	
Direction of rotation		Selectable by switch	
Manual override		Gearing latch disengaged by push button, self-resetting	
Angle of rotation		Max. 95°, adjustable by mechanical stops	
Running time		150s	
Sound power level		Max. 35dB(A)	
Position indicator		Mechanical, remote visible	
Working conditions			
Protection class		III (safety extra-low voltage)	
Degree of protection	NMU24(-S/-F)	IP54	
	NMU24-T	IP20	
EMC		CE according to 89/336/EEC	
Mode of operation		Type 1 (EN 60730-1)	
Ambient temp.		-30...+50°C	
Non-operation temp.		-40...+80°C	
Humidity		5...95% RH, non-condensing	
Maintenance		Maintenance-free	
Dimensions / weight			
Dimensions (LxWxH)		See "Dimensions"	
Shaft length		Min. 40mm (20mm with K-NA for reverse mounting-optional)	
Shaft	NMU24(-S/-T)	8..26.7mm (8...20mm with K-NA)	
	NMU24-F	8x8mm	
Weight		0.75kg	

**Dimensions [mm]**
**NMU24(-S)**

**NMU24-T**

**NMU24-F**


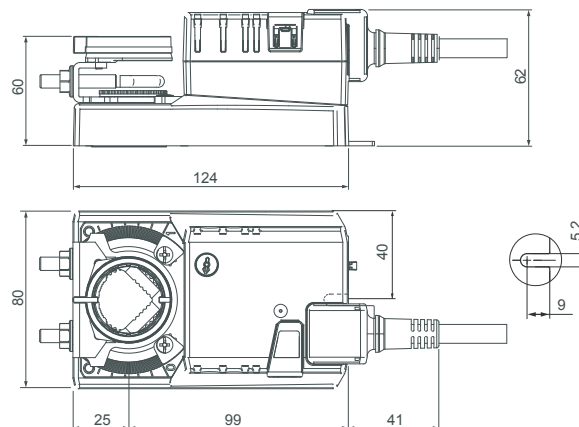
- For operation of air control dampers in HVAC system
- Torque: 10Nm
- Nominal voltage: AC/DC 24V
- Control signal: DC 2(0)...10V
- Position feedback: DC 2...10V



**Technical data**

<b>Electrical data</b>	Nominal voltage	AC 24V 50/60Hz, DC 24V
	Nominal voltage range	AC/DC 19.2...28.8V
	Power consumption	2W @ nominal torque / 0.4W @ holding
	For transformer sizing	4VA
	Connecting cable	Cable 1m, 4x0.75mm <sup>2</sup>
<b>Functional data</b>	Torque	10Nm
	Control signal Y	DC 2(0)...10V @ input impedance 100kΩ
	Position feedback signal U	DC 2...10V @ max. 1mA
	Position accuracy	±5%
	Direction of rotation	Selectable by switch
	Manual override	Gearing latch disengaged by push button, self-resetting
	Angle of rotation	Max. 95°, adjustable by mechanical stops
	Running time	150s
	Sound power level	Max. 35dB(A)
	Position indicator	Mechanical, remote visible
<b>Working conditions</b>	Protection class	III (safety extra-low voltage)
	Degree of protection	IP54
	EMC	CE according to 89/336/EEC
	Mode of operation	Type 1 (EN 60730-1)
	Ambient temp.	-30...+50°C
	Non-operation temp.	-40...+80°C
	Humidity	5...95% RH, non-condensing
	Maintenance	Maintenance-free
<b>Dimensions / weight</b>	Dimensions (LxWxH)	See "Dimensions"
	Shaft	⌀ 8...26.7mm (8...20mm with K-NA)
	Weight	0.8kg

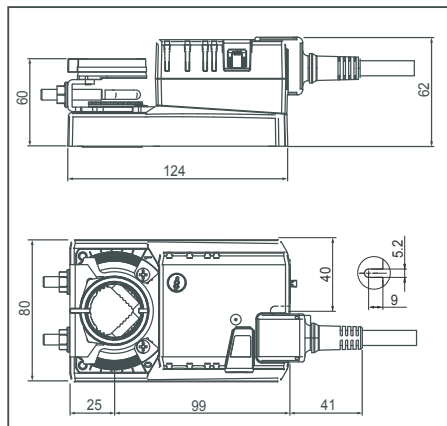
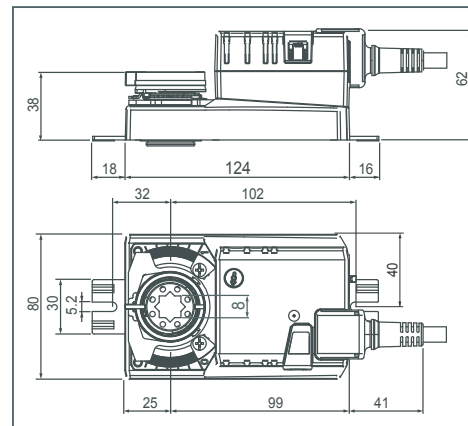
**Dimensions [mm]**



- For operation of air control dampers in HVAC system
- Torque: 10Nm
- Nominal voltage: AC 100...240V
- Control: Open/Close or 3-point


**Technical data**

Electrical data		Nominal voltage	AC 100...240V 50/60Hz
		Nominal voltage range	AC 85...265V
		Power consumption	2.5W @ nominal torque / 0.6W @ holding
		For transformer sizing	5.5VA
		Auxiliary switch (-S)	1 SPDT, 1mA...3(0.5)A, AC 250V, adjustable
		Connection -motor	Cable 1m, 3x0.75mm <sup>2</sup>
		-auxiliary switch (-S)	Cable 1m, 3x0.75mm <sup>2</sup>
Functional data		Torque	10Nm
		Direction of rotation	Selectable by switch
		Manual override	Gearing latch disengaged by push button, self-resetting
		Angle of rotation	Max. 95°, adjustable by mechanical stops
		Running time	150s
		Sound power level	Max. 35dB(A)
		Position indicator	Mechanical, remote visible
Working conditions		Protection class	II (Totally insulated)
		Degree of protection	IP54
		EMC	CE according to 89/336/EEC
		Low voltage directive	CE according to 73/23/EEC
		Mode of operation	Type 1 (EN 60730-1)
		Ambient temp.	-30...+50°C
		Non-operation temp.	-40...+80°C
		Humidity	5...95% RH, non-condensing
		Maintenance	Maintenance-free
Dimensions / weight		Dimensions (LxWxH)	See "Dimensions"
		Shaft length	Min. 40mm (20mm with K-NA for reverse mounting-optional)
		Shaft	NMU230(-S) $\varnothing 8 \dots 26.7\text{mm}$ (8...20mm with K-NA) NMU230-F 8x8mm
		Weight	0.8kg

**Dimensions [mm]**
**NMU230(-S)**

**NMU230-F**


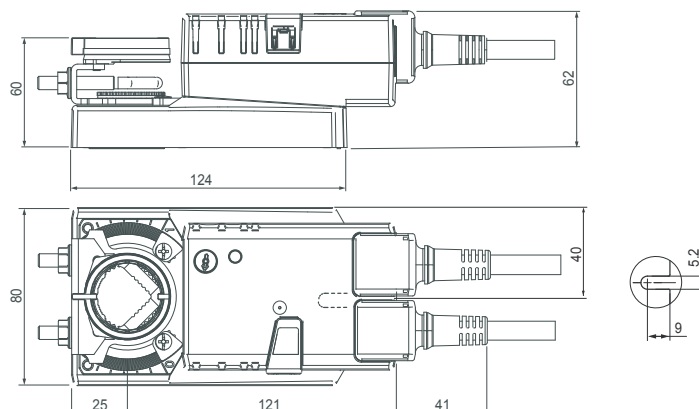
- For operation of air control dampers in HVAC system
- Torque: 10Nm
- Nominal voltage: AC 100...240V
- Control signal: DC 2(0)...10V
- Position feedback: DC 2...10V



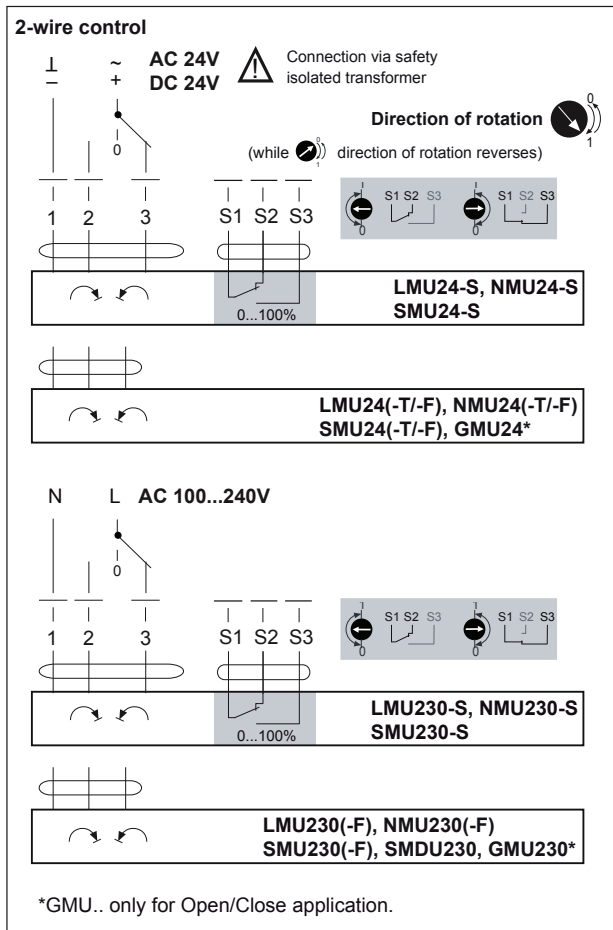
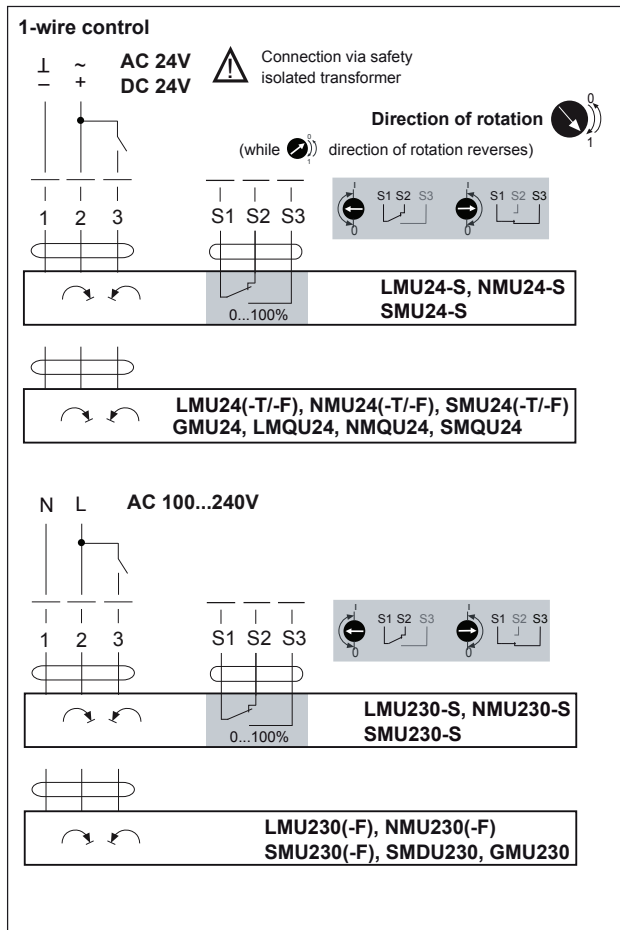
**Technical data**

<b>Electrical data</b>	Nominal voltage	AC 100...240V 50/60Hz
	Nominal voltage range	AC 85...265V
	Power consumption	3.5W @ nominal torque / 1W @ holding
	For transformer sizing	6.5VA
	Connection	-power supply -signal
<b>Functional data</b>	Torque	10Nm
	Control signal Y	DC 2(0)...10V @ input impedance 100kΩ
	Position feedback signal U	DC 2...10V @ max. 1mA
	Position accuracy	±5%
	Direction of rotation	Selectable by switch
	Manual override	Gearing latch disengaged by push button, self-resetting
	Angle of rotation	Max. 95°, adjustable by mechanical stops
	Running time	150s
	Sound power level	Max. 35dB(A)
	Position indicator	Mechanical, remote visible
<b>Working conditions</b>	Protection class	II (Totally insulated)
	Degree of protection	IP54
	EMC	CE according to 89/336/EEC CE according to 73/23/EEC
	Mode of operation	Type 1 (EN 60730-1)
	Ambient temp.	-30...+50°C
	Non-operation temp.	-40...+80°C
	Humidity	5...95% RH, non-condensing
<b>Dimensions / weight</b>	Maintenance	Maintenance-free
	Dimensions (LxWxH)	187x80x62mm
	Shaft length	Min. 40mm (20mm with K-NA for reverse mounting-optional)
	Shaft	⌀ I ⋄ 6...20mm (8...20mm with K-NA)
	Weight	0.95kg

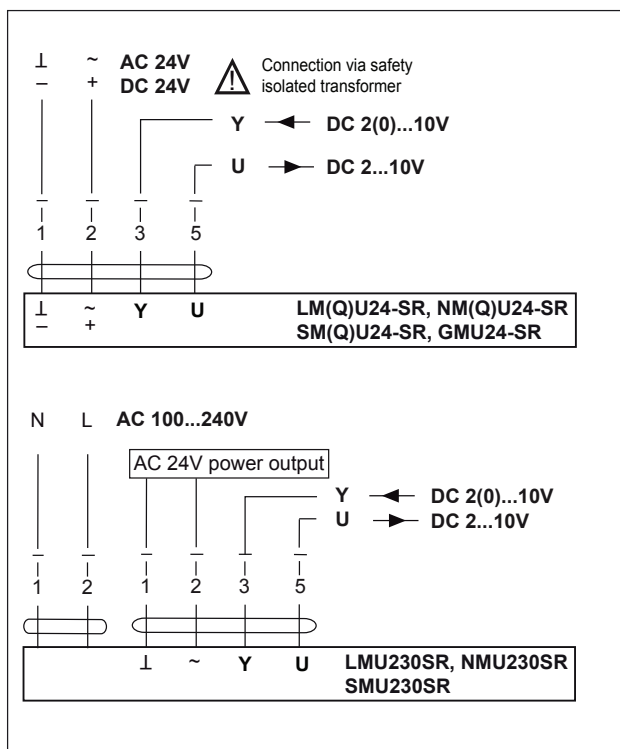
**Dimensions [mm]**



Wiring diagrams: Open/Close actuators—parallel connection possible, please note the performance data.



Wiring diagram: Modulating actuators—parallel connection possible, please note the performance data.



Position - signal voltage

