



TEMPERATURE CONTROLLER HTC- 4YT 2 Heat 2 Cool + 0-10VDC Modulating Compressor Output

Features

- Australian Made and designed
- Power Supply can be either 24V or 240V AC
- 10 Amp (Resistive) Potential free relay contacts
- L.E.D Indication of all outputs
- Various remote sensor options available
- Mounts in most M.C.B din rail enclosures
- Compatibility to a vast range of AC Units & Heat Pumps
- Modulating 0-10VDC Compressor Output


Use

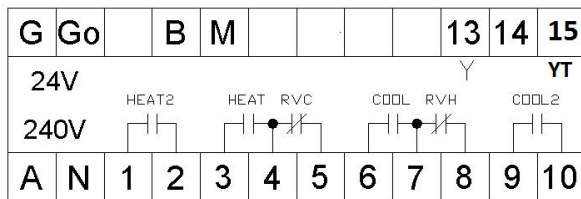
The HTC-4YT Temperature Controller is primarily designed for the control of 2 Stage Heat and 2 Stage Cool Air-conditioning units which also require a 0-10vDC modulating compressor signal. All output relays are voltage free permitting use on either 240 Volt or 24 Volt circuitry. Stage switch on points are individually adjustable with their ON/OFF status displayed via LED indicators. The HTC-4YT Temperature Controller is ideally suited for DIN rail mounting in a switchboard or directly inside the A/C unit if required.



Made in Australia
100% Australian Owned Company

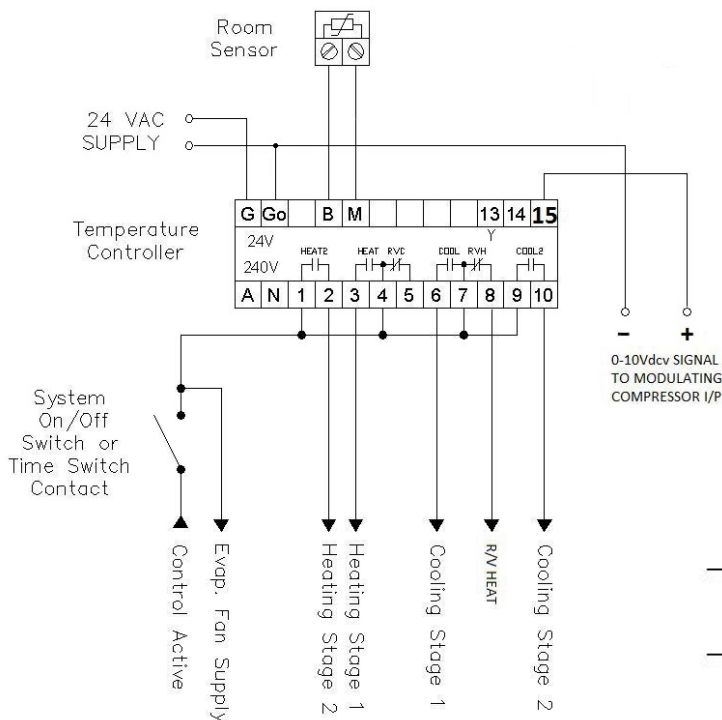
Technical Data

General Specifications	Operating Voltage	24 Volts AC or 240 Volts AC
	Power Consumption	
	At 240 Volts	7 VA
	At 24 Volts	1 VA
	Switching Capacity of Relays	
	Voltage	AC 0...250 Volts
	Current	10 (3) A
	Setpoint Setting Range	16...28 oC
	Mod. Compressor Output	0-10VDC from +/1 from setpoint (fixed)
	Economy Cycle Proportional Band	1.0 oC (fixed)
	Stage Start Point Adjustment	0.5...5.0 oC (From Setpoint)
	Switching Differential Stage 1	0.3 oC (NON Adjustable)
	Switching Differential Stage 2	0.7 oC (NON Adjustable)
Output Indication		
Heating	2 x Red LED's	
Cooling	2 x Green LED's	
Mod.Comp.	No indication	
Environmental Conditions	Operation	
	Ambient Temperature	0...45oC
	Humidity	< 85 % RH (Non Condensing)
	Storage and Transport	
	Ambient Temperature	-5...65oC
	Humidity	< 90 % RH (Non Condensing)
Product Standards	C-tick	 N10842
Weight	Including Packaging	470 grams
Housing	Colour	Grey
	Material	ABS POLYCARB
	UV Stabilised	YES
	Fire Retardant	YES
	Size	L105mm x W105mm x D60mm
	Mounting Method	35mm Din Rail Mountable



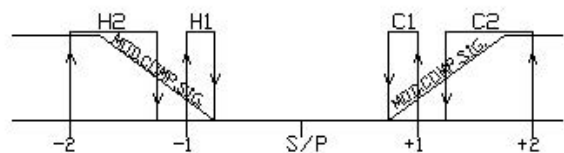
- G 24 Volt AC Supply Active
- Go 24 Volt AC Supply Ground Reference
- B Sensor Input
- M Sensor Input & output Common
- 13 0-10VDC Slave Module Output
- 15 Y Signal to Modulating Compressor
- A 240 Volt AC Supply Active
- N 240 Volt AC Supply Neutral
- 1 Heating Stage 2 Common
- 2 Heating Stage 2 Output
- 3 Heating Stage 1 Output
- 4 Heating Stage 1 & R/V for Cool Common
- 5 Reversing Valve for Cool Output
- 6 Cooling Stage 1 Output
- 7 Cooling Stage 1 & R/V for Heat Common
- 8 Reversing Valve for Heat Output
- 9 Cooling Stage 2 Common
- 10 Cooling Stage 2 Output

Application Example (1)



Technical Notes

- Supply Voltage** The Controller requires either a 240Volt AC or 24 Volt AC Supply
- 0-10VDC Comp. o/p** If the controller is powered from a 240V supply then use the 24v neutral "GO" or "M"terminal as the ground reference.
- Warnings** Use ONE Supply Voltage Only Either 240 or 24 Volts AC



ON/OFF START POINTS ADJUSTABLE
 SWITCHING DIFFERENTIALS FIXED
 MOD.COMP.SIGNAL START POINTS FIXED

Typical for Heat/Cool type Air-conditioning Units

