



HSMO-Q

MULTI-OUTPUT ROOM SENSOR c/w TEMPERATURE, HUMIDITY & CO2 OUTPUTS

The **HSMO** series of electronic room sensors are aesthetically modern, incorporating multiple environmental measurement elements producing industry standard 0-10vdc outputs. This model includes a temperature sensor, humidity sensor & CO2 Outputs. Compatible with most stand alone controllers & BMS systems that accept 0-10vdc analog inputs (in reference to power supply neutral), including Hevac's powerful versatile **ENDEAVOUR** temperature controller.

TECHNICAL DATA

Power Supply is half wave rectified allowing neutral connection to 24vAC Neutral for common reference.
12-24v DC or AC (note: if 12vdc power supply used maximum sensor / setpoint voltage will stall at 80% / 8v output.)

LCD display 128 x 64 dot matrix

Temperature Output : 0 - 50c ~ 0 - 10vDC Accuracy +/- 0.5c

Humidity Output : 0 - 100% RH ~ 0 - 10vDC Accuracy +/- 3% RH

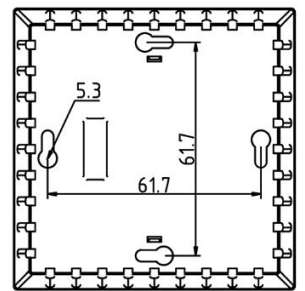
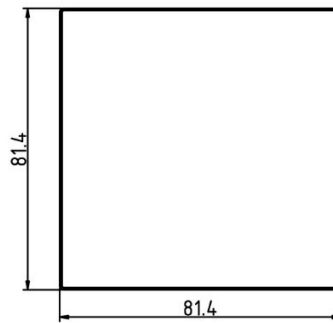
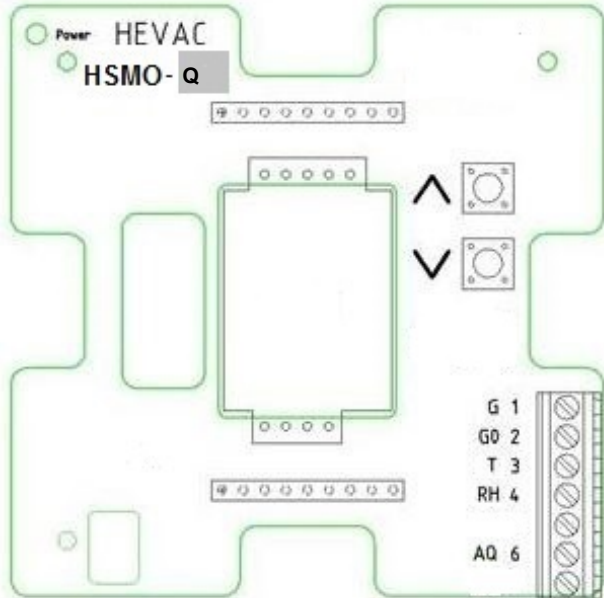
CO2 Output : 0 - 2000ppm ~ 0 - 10vDC Accuracy +/- 40ppm Can be scaled ex factory (on request) for a control range ie 700-1000 ppm for 0-10v output , allowing direct connection & control of EC fans or damper motors for zone CO2 control - without the need of a separate control module.



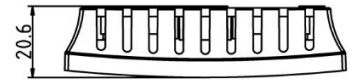
100% Australian Owned Company

TERMINAL IDENTIFICATION

- 1 G ACTIVE (12-24V AC/DC)
- 2 G0 NEUTRAL
- 3 T TEMPERATURE 0-10VDC OUTPUT
- 4 RH HUMIDITY 0-10VDC OUTPUT
- 6 AQ AIR QUALITY/CO2 0-10VDC OUTPUT



DIMENSIONS



MODEL OPTIONS & PART NUMBERS

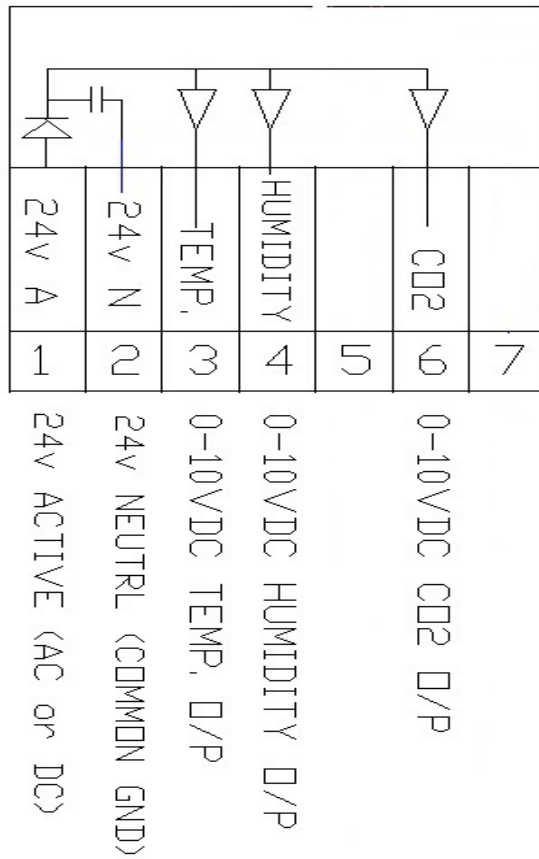
HSMO - DAQT



Ordering examples :

- HSMO : Room sensor with Temperature & Humidity measurement only, No display, No Buttons
- * HSMO-Q : Room sensor with Temperature, Humidity & CO2 (No display, No Buttons)
- HSMO - DQ : Room sensor with digital display, Temperature, Humidity & CO2 measurement.
- HSMO - DAQ : Room sensor with digital display, Temperature, Humidity, CO2 measurement & Adjustable Setpoint
- HSMO - DQT : Room sensor with digital display, Temperature, Humidity, CO2 measurement & A.H.R button
- HSMO - DAT : Room sensor with digital display, Temperature, Humidity measurement, Adjustable Setpoint & A.H.R buttons
- HSMO - DAQT : Room sensor with digital display, Temperature, Humidity, CO2 measurement, Adjustable Setpoint & A.H.R buttons

* THIS MODEL



**HSMO-Q
SENSOR
OUTPUTS**

EXAMPLE : ELECTRICAL CONNECTION TO ENDEAVOUR

