



HSMO-DQT

MULTI-OUTPUT ROOM SENSOR

c/w DIGITAL LCD DISPLAY,
TEMPERATURE, HUMIDITY & CO2 SENSORS
+ AHR TIMER TRIGGER BUTTON

The **HSMO** sensor series are aesthetically modern electronic room sensors, incorporating multiple environmental measurement elements producing industry standard individual 0-10vdc outputs. A large clear LCD display allows easy reading of current measured values. This model **HSMO-DQT** incorporates a temperature sensor, humidity sensor, CO2 sensor + a momentary After Hours Run timer trigger push button. Compatible with most stand alone controllers & BMS systems that except 0-10vdc analog inputs (in reference to power supply neutral), including Hevac's powerful versatile **ENDEAVOUR** temperature controller.

TECHNICAL DATA

Internal Power Supply is half wave rectified allowing the 24vAC Neutral for use as a common reference to both AC & DC circuits. 12-24v DC or AC (note: if 12vdc power supply used maximum sensor & setpoint voltage output will stall at 80% / 8v.)

LCD display 128 x 64 dot matrix

Temperature Output : 0 - 50c ~ 0 - 10vDC Accuracy +/- 0.5c

Humidity Output : 0 - 100% RH ~ 0 - 10vDC Accuracy +/- 3% RH

CO2 Output : (Default =) 0 - 2000ppm ~ 0 - 10vDC Accuracy +/- 40ppm (Can be scaled as a control range ie 700-1000ppm for 0-10v output allowing direct connection & control of EC fans or damper motors for zone CO2 control - without the need of a separate control module).

SETPOINT : 0c - 50c ~ 0 - 10vDC (ie 0v = 0c, 5v = 25c, 10v=50c)

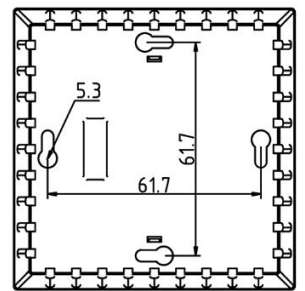
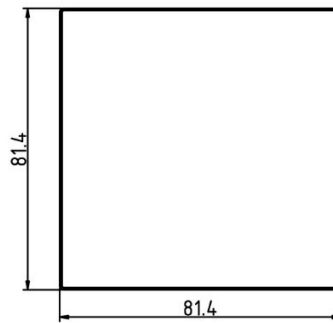
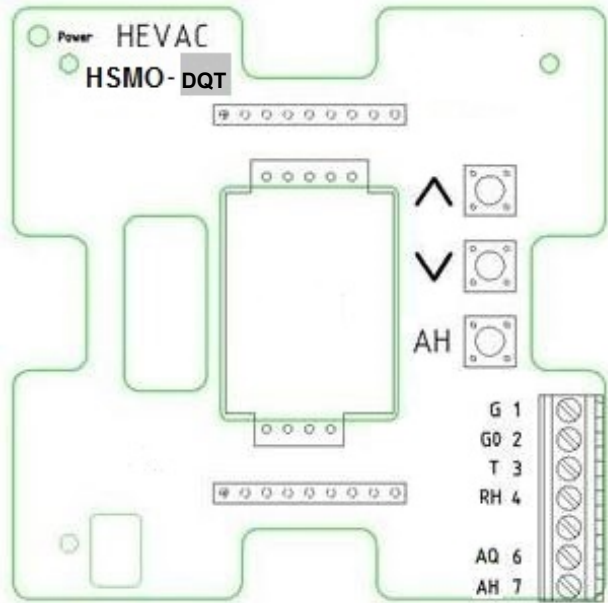
After Hours Push Button : momentary mechanical switch output tied to neutral (switch supply internally tied to terminal 2).



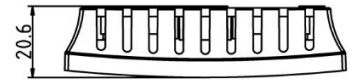
100% Australian Owned Company

TERMINAL IDENTIFICATION

- 1 G ACTIVE (12-24V AC/DC)
- 2 G0 NEUTRAL
- 3 T TEMPERATURE 0-10VDC OUTPUT
- 4 RH HUMIDITY 0-10VDC OUTPUT
- 6 AQ AIR QUALITY/CO2 0-10VDC OUTPUT
- 7 AH MOMENTARY AHR SWITCH OUTPUT



DIMENSIONS



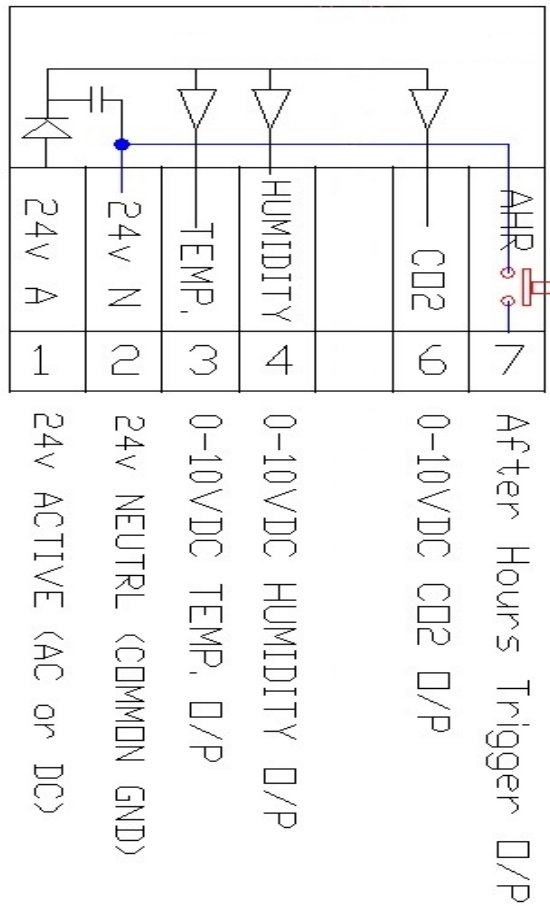
MODEL OPTIONS & PART NUMBERS

HSMO - DAQT



Ordering examples :

- HSMO : Room sensor with Temperature & Humidity measurement only. (no display)
 - HSMO - Q : Room sensor with Temperature, Humidity & CO2 measurement. (no display)
 - HSMO - DQ : Room sensor with LCD, Temperature, Humidity & CO2 measurement.
 - HSMO - DAQ : Room sensor with LCD, Temperature, Humidity, CO2 measurement & Adjustable Setpoint
 - * HSMO - DQT : Room sensor with LCD, Temperature, Humidity, CO2 measurement & A.H.R button
 - HSMO - DAT : Room sensor with LCD, Temperature, Humidity, Adjustable Setpoint & A.H.R button
 - HSMO - DAQT : Room sensor with LCD, Temperature, Humidity, CO2 measurement, Adjustable Setpoint & A.H.R button
- * THIS MODEL



**HSMO-DQT
SENSOR
OUTPUTS**

EXAMPLE : ELECTRICAL CONNECTION TO ENDEAVOUR (using all outputs)

