



## HSMO-DAQT

### MULTI-OUTPUT ROOM SENSOR

c/w DIGITAL LCD DISPLAY,  
TEMPERATURE, HUMIDITY & CO2 SENSORS  
+ ADJ. SETPOINT + AHR BUTTONS

The **HSMO** sensor series are aesthetically modern electronic room sensors, incorporating multiple environmental measurement elements producing industry standard individual 0-10vdc outputs. A large clear LCD display allows easy reading of current measured values. This model **HSMO-DAQT** incorporates a temperature sensor, humidity sensor, CO2 sensor plus Up & Down Set Point buttons (converted to a 0-10vdc output) & a momentary After Hours Run timer trigger push button. Compatible with most stand alone controllers & BMS systems that except 0-10vdc analog inputs (in reference to power supply neutral), including Hevac's powerful versatile **ENDEAVOUR** temperature controller.

#### TECHNICAL DATA

Internal Power Supply is half wave rectified allowing the 24vAC Neutral for use as a common reference to both AC & DC circuits. 12-24v DC or AC (note: if 12vdc power supply used maximum sensor & setpoint voltage output will stall at 80% / 8v.)

LCD display 128 x 64 dot matrix

Temperature Output : 0 - 50c ~ 0 - 10vDC Accuracy +/- 0.5c

Humidity Output : 0 - 100% RH ~ 0 - 10vDC Accuracy +/- 3% RH

CO2 Output : (Default = ) 0 - 2000ppm ~ 0 - 10vDC Accuracy +/- 40ppm (Can be scaled as a control range ie 700-1000ppm for 0-10v output allowing direct connection & control of EC fans or damper motors for zone CO2 control - without the need of a seperate control module).

SETPOINT : 0c - 50c ~ 0 - 10vDC (ie 0v = 0c, 5v = 25c, 10v=50c)

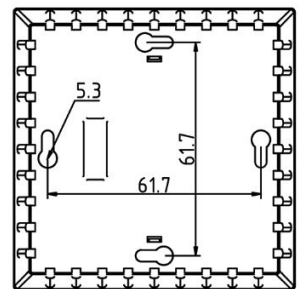
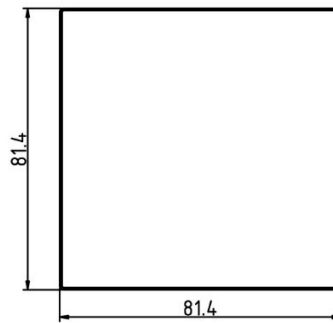
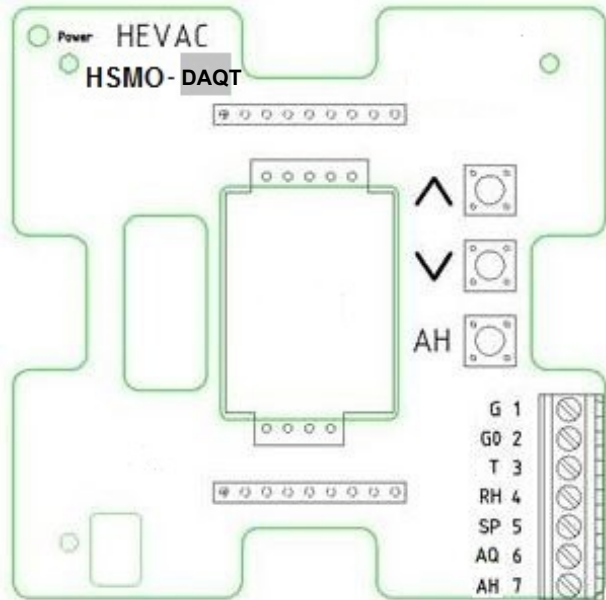
After Hours Push Button : momentary mechanical switch output tied to neutral ( switch supply internally tied to terminal 2).



100% Australian Owned Company

## TERMINAL IDENTIFICATION

- |   |    |                                |
|---|----|--------------------------------|
| 1 | G  | ACTIVE ( 12-24V AC/DC)         |
| 2 | G0 | NEUTRAL                        |
| 3 | T  | TEMPERATURE 0-10VDC OUTPUT     |
| 4 | RH | HUMIDITY 0-10VDC OUTPUT        |
| 5 | SP | SETPOINT 0-10VDC OUTPUT        |
| 6 | AQ | AIR QUALITY/CO2 0-10VDC OUTPUT |
| 7 | AH | MOMENTARY AHR SWITCH OUTPUT    |



## DIMENSIONS

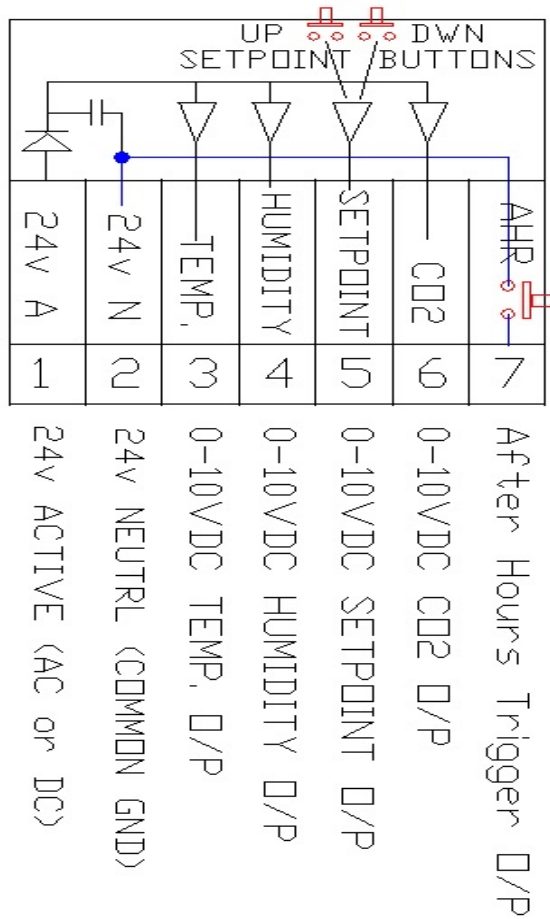


## MODEL OPTIONS & PART NUMBERS



### Ordering examples :

- HSMO : Room sensor with Temperature & Humidity measurement only, No display, No Buttons
  - HSMO- Q : Room sensor with Temperature, Humidity & CO2 (No display, No Buttons)
  - HSMO - DQ : Room sensor with digital display, Temperature, Humidity & CO2 measurement.
  - HSMO - DAQ : Room sensor with digital display, Temperature, Humidity, CO2 measurement & Adjustable Setpoint
  - HSMO - DQT : Room sensor with digital display, Temperature, Humidity, CO2 measurement & A.H.R button
  - HSMO - DAT : Room sensor with digital display, Temperature, Humidity measurement, Adjustable Setpoint & A.H.R buttons
  - \* HSMO - DAQT : Room sensor with digital display, Temperature, Humidity, CO2 measurement, Adjustable Setpoint & A.H.R buttons
- \* THIS MODEL



## HSMO-DAQT SENSOR OUTPUTS

### EXAMPLE : ELECTRICAL CONNECTION TO ENDEAVOUR (using all outputs)

