

HSMO-DAQ

MULTI-OUTPUT ROOM SENSOR c/w TEMPERATURE, HUMIDITY, CO2 & ADJ.SETPOINT OUTPUTS

The **HSMO** series of electronic room sensors are aesthetically modern, incorporating multiple environmental measurement elements producing industry standard 0-10vdc outputs. A large clear LCD display allows easy reading of current measured values. This model includes a temperature sensor, humidity sensor, CO2 sensor plus incorporates Up / Down temperature set point buttons (converted to a 0-10vdc output) . Compatible with most stand alone controllers & BMS systems that except 0-10vdc analog inputs (in reference to power supply neutral), including Hevac's powerful versatile **ENDEAVOUR** temperature controller.

TECHNICAL DATA

Power Supply is half wave rectified allowing neutral connection to 24vAC Neutral for common reference.
12-24v DC or AC (note: if 12vdc power supply used maximum sensor / setpoint voltage will stall at 80% / 8v output.)

LCD display 128 x 64 dot matrix

Temperature Output : 0 - 50c ~ 0 - 10vDC Accuracy +/- 0.5c

Humidity Output : 0 - 100% RH ~ 0 - 10vDC Accuracy +/- 3% RH

CO2 Output : 0 - 2000ppm ~ 0 - 10vDC Accuracy +/- 40ppm (Can be scaled for a control range ie 700-1000ppm for 0-10v output allowing direct connection & control of EC fans or damper motors for zone CO2 control - without the need of a seperate control module).

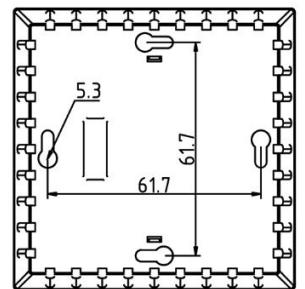
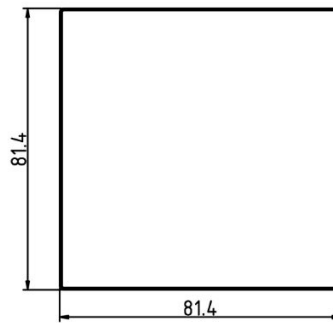
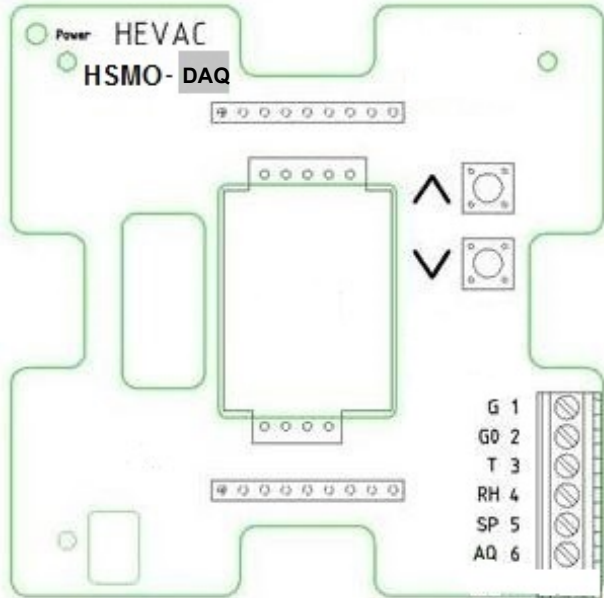
SETPOINT : 0c - 50c ~ 0 - 10vDC (ie 0v = 0c, 5v = 25c, 10v=50c)



100% Australian Owned Company

TERMINAL IDENTIFICATION

- | | |
|------|--------------------------------|
| 1 G | ACTIVE (12-24V AC/DC) |
| 2 G0 | NEUTRAL |
| 3 T | TEMPERATURE 0-10VDC OUTPUT |
| 4 RH | HUMIDITY 0-10VDC OUTPUT |
| 5 SP | SETPOINT 0-10VDC OUTPUT |
| 6 AQ | AIR QUALITY/CO2 0-10VDC OUTPUT |



DIMENSIONS

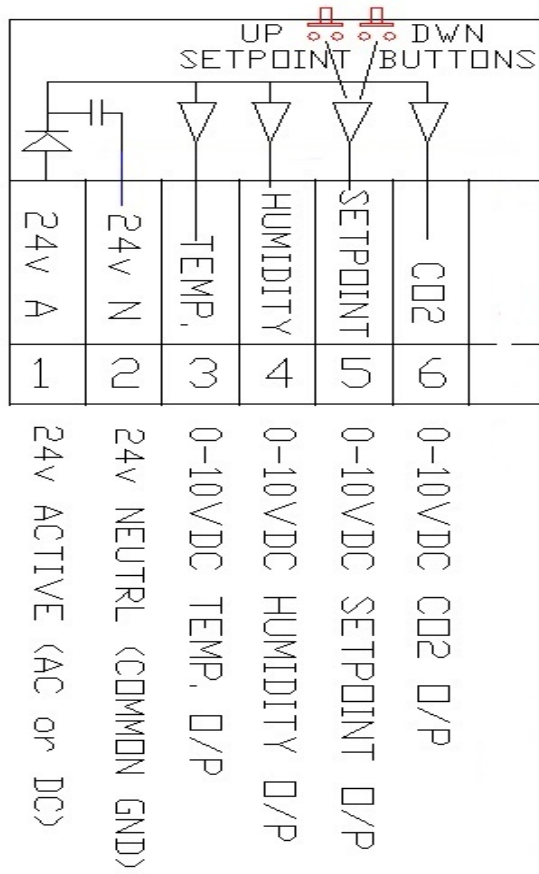


MODEL OPTIONS & PART NUMBERS



Ordering examples :

- HSMO : Room sensor with Temperature & Humidity measurement only, No display, No Buttons
 - HSMO-Q : Room sensor with Temperature, Humidity & CO2 (No display, No Buttons)
 - HSMO - DQ : Room sensor with digital display, Temperature, Humidity & CO2 measurement.
 - * HSMO - DAQ : Room sensor with digital display, Temperature, Humidity, CO2 measurement & Adjustable Setpoint
 - HSMO - DQT : Room sensor with digital display, Temperature, Humidity, CO2 measurement & A.H.R button
 - HSMO - DAT : Room sensor with digital display, Temperature, Humidity measurement, Adjustable Setpoint & A.H.R buttons
 - HSMO - DAQT : Room sensor with digital display, Temperature, Humidity, CO2 measurement, Adjustable Setpoint & A.H.R buttons
- * THIS MODEL



HSMO-DAQ SENSOR OUTPUTS

EXAMPLE : ELECTRICAL CONNECTION TO ENDEAVOUR

