



HIM5-R5-20A

240v / 24v RELAY INTERFACE

Features

- Replaceable Fuse
- Input & Power Indication led's
- Mounts In Most M.C.B Din Rail Enclosures
- 4 x 10 Amp relays res.(3A ind.)
- 1 x 20 Amp relay res. (6A ind.)
- 24vAC 7.5 VA Output Power for external use.
- Common Enable / Fault Interlock
- Segregated outputs allowing mixed voltages

Use

The **HIM5-R5-20A** is intended as a relay interface module allowing 24vAC control input circuits to switch 240vAC or other DC or AC output circuits.

Typical application is as an interface and power supply for 24vAC Thermostats (or Temperature controllers) to control 240vac equipment ..ie A/C unit with 240vAC or other control logic voltages .

Relays 1- 4 are 10 Amp resistive / 3 Amp inductive relays.

Relay **5** is a **20 Amp (res.) 2HP / 1.5KW** relay allowing direct connection to 240v fans or solenoids to that maximum rating.



Made in Australia
100% Australian Owned Company

Technical Data

Electrical Specifications

Power Supply	240 Volts AC +/- 10%
Indication	5 x 3mm green led (1 per input) On = Active Input 1 x 3mm green led On = 24v output power available
Input Terminals	Signal Input Voltage's 24vAC sourced from "G" terminal or external 24v active referenced to "GO" terminal.
Output Terminals	24vAC Supply 7.5 VA to power external 24vAC devices
Relay outputs	R1-4 : 10 Amp Resistive 0~240v (~3.3 Amps ind.) R5 : 20 Amp Resistive 0~240v (~6A/1.5KW/2HP)
Protection	External 500 mA Replaceable Fuse internal inbuilt 240v thermal fuse. 24v Varistor (to clamp over voltage@28v) Relay Outputs Segregated as per Standards to allow for mixed voltage outputs per relay

Environmental Conditions

Operation	Ambient Temperature 0...45oC Humidity < 85 % RH (Non Condensing)
Storage and Transport	Ambient Temperature -5...65oC Humidity < 90 % RH (Non Condensing)

Weight

Including Packaging	350 grams
---------------------	-----------

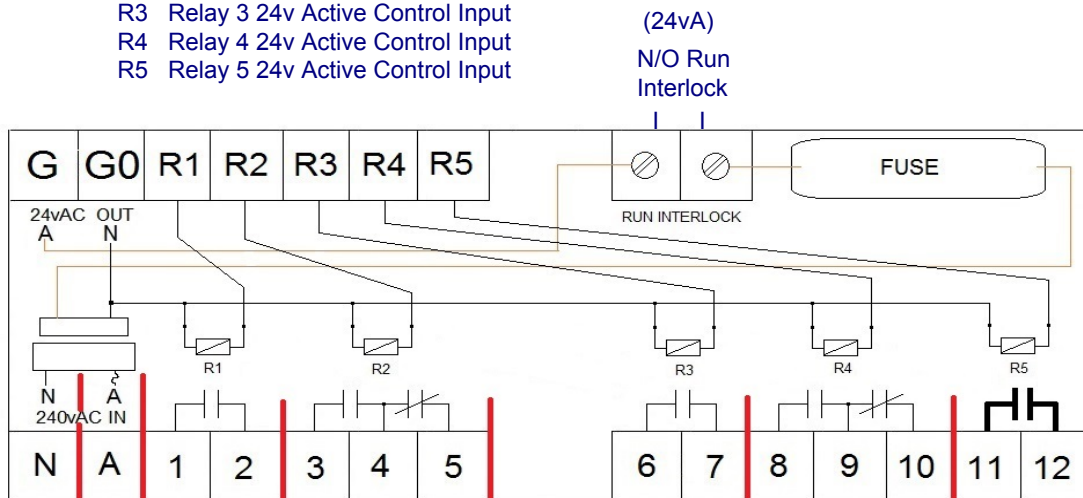
Housing

Colour	Grey
Material	ABS POLYCARB
UV Stabilised	YES
Fire Retardant	YES
Size	L105mm x W105mm x D60mm
Mounting Method	35mm Din Rail Mountable

Terminal Designations

G 24vAC ACTIVE OUTPUT
GO 24vAC NEUTRAL

R1 Relay 1 24v Active Control Input
R2 Relay 2 24v Active Control Input
R3 Relay 3 24v Active Control Input
R4 Relay 4 24v Active Control Input
R5 Relay 5 24v Active Control Input



A 240vAC ACTIVE SUPPLY IN
N 240vAC NEUTRAL SUPPLY IN

1 Relay 1 N/O Contact
2 Relay 1 Common
3 Relay 2 N/O Contact
4 Relay 2 Common
5 Relay 2 N/C Contact

6 Relay 3 N/O Contact
7 Relay 3 Common
8 Relay 4 N/O Contact
9 Relay 4 Common
10 Relay 4 N/C Contact

11 Relay 5 Common
12 Relay 5 N/O Contact

20 AMP / 1.5KW / 2HP

NOTE :

The internal 24vAC 10va transformer Active output is connected in series through the FUSE , the "RUN" interlock and then the "G" terminal for external use.

If the green RUN indication LED doesn't illuminate check -

240v supply
Fuse continuity
RUN interlock.

240v Supply terminals & individual relays outputs have internal PCB segregations to comply to Australian & international standards allowing mixed output voltages to be used on each of the relay output terminal sets.

Application Example

