



HIM-FANSPD

24v / 240v FAN RELAY INTERFACE

Features

- Replaceable Fuse
- Input & Power Indication led's
- Mounts In Most M.C.B Din Rail Enclosures
- 5 x 10 Amp relays res.(3A ind.)
- 24vAC 7.5 VA Output Power for external use.
- Common Enable / Fault Interlock
- Segregated outputs allowing mixed voltages

Use

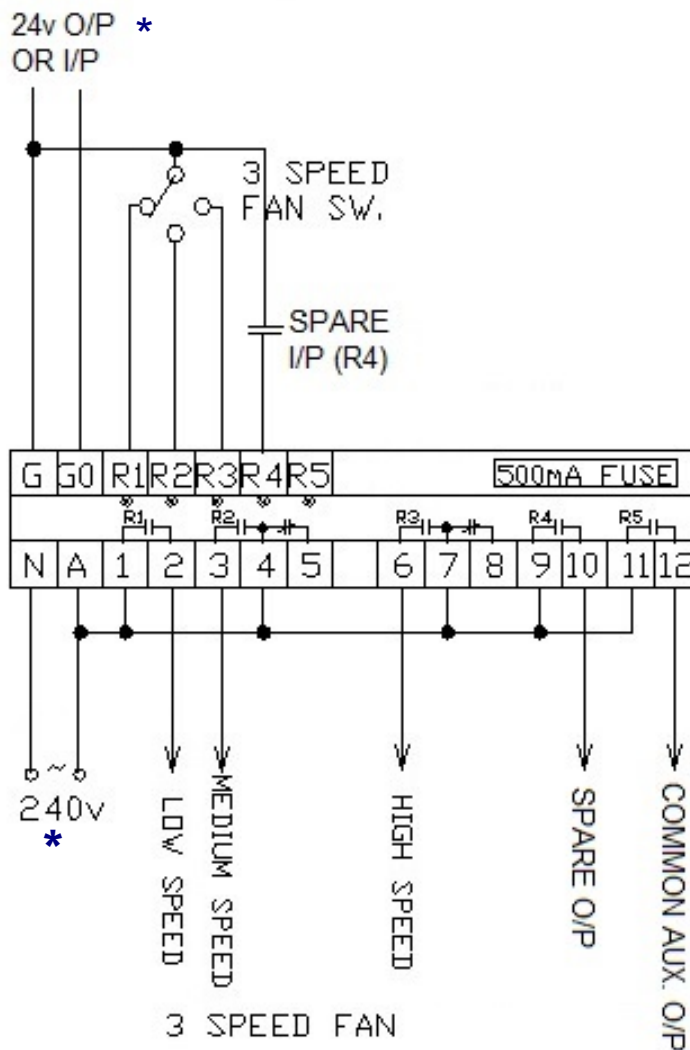
The **HIM-FANSPD** is intended as a relay interface module allowing 24vAC control circuits to control a 3 speed 240vAC fan and to also trigger a common relay (relay 5) as an auxiliary relay (ie: to control an O/A fan) if any fan speed is selected.

A high current (relay 5 only) version is also available allowing 240v 20 Amp (6 Amp inductive) connection to relay 5 - Model number HIM-FANSPD-R520A



Made in Australia
100% Australian Owned Company

Application Example



NOTES:

INPUT TERMINALS R1,R2 & R3 OPERATE THEIR RESPECTIVE RELAY OUTPUTS R1,R2 & R3 PLUS CAUSE R5 TO ENERGISE AS A COMMON OUTPUT.

R INPUT ONLY OPERATES OUTPUT RELAY , OR OTHER AUXILIARY O/P APPLICATION

RELAY 5 CAN BE DIRECTLY ENERGISED VIA A FEED INTO THE R5 INPUT OR WILL AUTOMATICALLY ENERGISE WHEN EITHER R1,R2 OR R3 ARE ENABLED

* ONLY APPLY TO POWER THROUGH OR A POWER SUPPLY THE TERMINAL (G & GO) CAN BE USED AS AN OUTPUT TO OPERATE THE CONTACTS. IF USING AN EXTERNAL 24V SUPPLY ONLY CONNECT TERMINAL "GO" TO THE EXTERNAL 24V TRANSFORMER SO AS TO CAUSE A COMMON SYSTEM NEUTRAL.