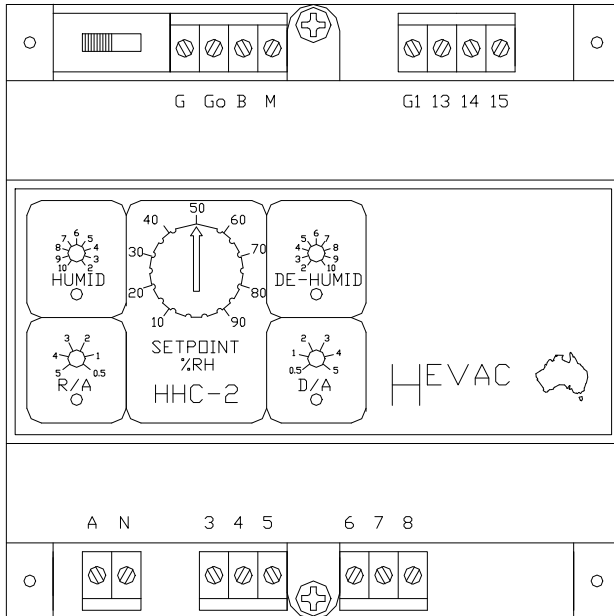


HHC SERIES

HHC- 2 HUMIDITY CONTROLLER



The **HHC-2** controller is used for the control of Humidifying and Dehumidifying equipment.

It has a 0-10VDC direct acting output and a 0-10VDC reverse acting signal as well as Humidifying and Dehumidifying ON/OFF relays.

The **HHC-2** uses a two wire 4-20 mA type Humidity Sensor and derives its power supply for this sensor from terminals G1 & B.

Switch on points for all outputs are fully adjustable on the controller fascia.

Features

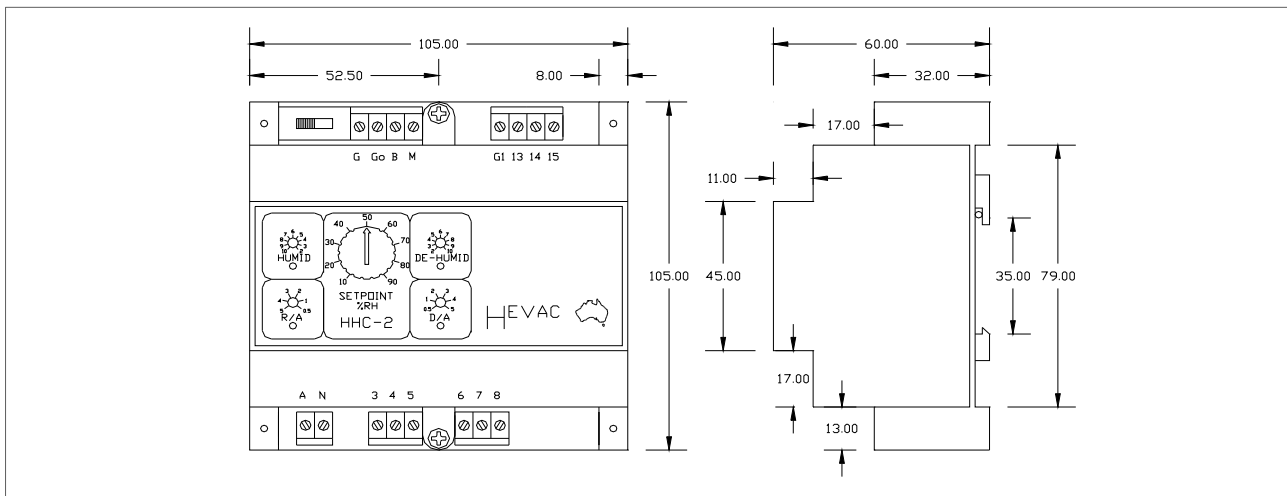
- Australian made and designed.
- Dual supply voltage 24v or 240v A.C (User Selectable)
- 10 AMP (resistive) Potential free relay contacts.
- L.E.D Indication of all outputs.
- Dehumid & Humid 0-10 VDC Outputs.
- Mounts in most M.C.B enclosures.
- Built in DC power supply for Humidity Sensor.

HHC-2 Technical Specifications

Power supply (User Selectable)	24VAC or 240VAC
Power consumption 240 volts	7 VA
Power consumption 24 volts	1 VA
Humid and Dehumid modulating outputs	0-10 VDC
Humid and Dehumid Proportional Band	5% RH
Humid and Dehumid relay outputs	240VAC 10 amp resistive, 3 amp inductive
Humidity range	10 to 90 % RH
Switching differential for Relay Outputs	5% RH
R/A & D/A start point adjustment range	0.5 to 5 % RH
Relay stage start point adjustment range	2 to 10 % RH
Output indication	Green LED for Dehumidification Red LED for Humidification
Intensity of R/A & D/A LED'S	Varies with the Signal Output
Mounting method	35mm DIN rail (Not supplied)

Dimensions

ALL DIMENSIONS IN MILLIMETRES



Terminal Designations

G	24 VOLT AC SUPPLY ACTIVE	A & N	240 VOLT AC SUPPLY
Go	24 VOLT AC SUPPLY GROUND REFERENCE	3	HUMIDIFICATION RELAY OUTPUT
B	SENSOR INPUT	4	HUMIDIFICATION RELAY COMMON INPUT
M	SIGNAL GROUND	5	NORMALLY CLOSED HUMID RELAY CONTACT
G1	SENSOR DC POSITIVE SUPPLY	6	DEHUMIDIFICATION RELAY OUTPUT
13	Y SIGNAL	7	DEHUMIDIFICATION RELAY COMMON INPUT
14	REVERSE ACTING 0-10VDC OUTPUT (HUMID)	8	NORMALLY CLOSED DEHUMID RELAY CONTACT
15	DIRECT ACTING 0-10VDC OUTPUT (DEHUMID)		