



## HGS 2-10 CO SENSOR

### Budget CARBON MONOXIDE 0-150ppm 2-10vDC SENSOR

#### Features

---

- CO cell complies with all relevant standards with international compliance.
- Easy Site Calibration with ZERO and GAIN potentiometers.
- Choice of wire entry: rear, bottom or top.

#### Use

---

The HGS 2-10 is designed as a budget but fully compliant Car park Carbon Monoxide measurement sensor for connection to a CO Controller or BMS system. Hevac manufacture a compatible CO controller model HCP7 which can except 7 of the HGS series sensors, and using expansion modules, up to a total of 42 sensors. The sensor is a 3 wire connection powered by **24vDC** and produces a 2 to 10 volt DC signal over the measurement range of 0 to 150 ppm CO. The sensor is marked with a signed calibration date sticker. HEVAC recommend a 12 month recalibration period.

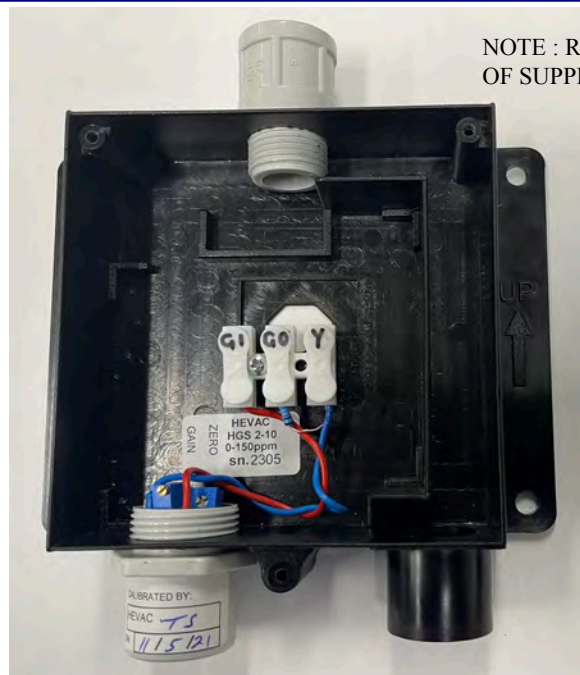
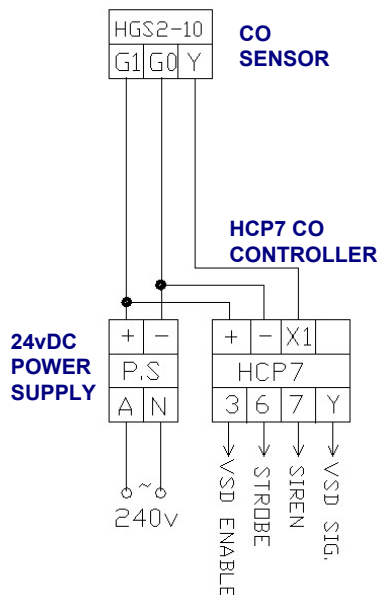


**100% Australian Owned Company**

## Technical Data

|                          |                                      |                              |
|--------------------------|--------------------------------------|------------------------------|
| General Specifications   | Operating Voltage                    | 24 Volts DC                  |
|                          | Power Consumption<br>17- 24 DC Volts | 20 mA @ 150ppm               |
|                          | Re Calibration Period                | 12 months                    |
| Environmental Conditions | Operation                            |                              |
|                          | Ambient Temperature                  | 0...40oC                     |
|                          | Humidity                             | < 95 % RH (Non Condensing)   |
|                          | Storage and Transport                |                              |
|                          | Ambient Temperature                  | 1...50oC                     |
|                          | Humidity                             | < 90 % RH (Non Condensing)   |
| Product Standards        | As per Australian standards.         |                              |
| Weight                   | Including Packaging                  | 150 grams                    |
| Housing                  | Colour                               | BLACK                        |
|                          | Material                             | ABS POLYCARBONATE            |
|                          | UV Stabilised                        | YES                          |
|                          | Fire Retardant                       | YES                          |
|                          | Size                                 | H122mm x W98mm x D35mm       |
|                          | Mounting Method                      | Wall mount 4 screw locations |

### CONNECTION GUIDE



NOTE : REQUIRES DC SUPPLY CAPABLE OF SUPPLYING 20mA DC PER SENSOR

- G1 24 Volt Supply Active **DC**
- G0 24 Volt Neutral (ground)
- Y 2-10VDC Signal Out