

FIGM6
6 x DPDT
24vAC RELAYS

FIRE MODE RELAY INTERFACE

Features

- 6 INDEPENDENT I/O CIRCUITS
- AUTO/OFF/MANUAL O/P CONTROL
- LED INDICATION OF RELAY STATUS
- 6 X DUAL C/O CONTACT RELAYS (DPDT)
- 0.5 Amp RELAYS rated at 240vAC
- DIFFERENT O/P VOLTAGE GROUPS (2 X3)
- DIN RAIL MOUNT.

Use

The FIGM6 is purpose built as a 6 channel fire mode relay interface module allowing control of 6 independent input / output control interlock circuits. The 6 relays respond to a switched 24vAC input from the fire panel that control 6 on board double pole c/o relays. Each relay has 2 c/o sets of contacts which allow connection to 2 output circuits ..ie to operate a drive open/drive close damper motor & an indicating lamp. Each relay is also subject to an on board Auto / Off / Manual control switch to assist in circuit setup & testing.

Made in Australia
100% Australian Owned Company



Technical Data

Electrical Specifications

<u>Input Power Supply</u>	24 Volts AC +/- 10%
<u>Output Indication</u>	6 x 3mm green led (1 per input) On = Relay energised
<u>Input Terminals</u>	24vAC sourced from "G" terminal or from an external 24vac but also linked & referenced to the "GO" terminal.
<u>Voltage free Relay outputs</u>	1 Amp @ 24vac , 0.5 Amp @ 240v

Note : Due to the close proximity of output circuit board tracks between relay and connection terminals etc, and in keeping with Australian electrical segregation safety regulations, DO NOT mix voltages on or between relay groups , ie if one set of c/o relay contacts is switching a 24vAC circuit, the other c/o contact set or a nearby relay cannot switch a 240vAC circuit. However the relays have been arranged with segregation between the 2 sets of 3 relays, allowing for example one set of 3 relays to switch 24vAC circuits and the other set to switch 240vAC circuits.

Environmental Conditions

Operation

Ambient Temperature	0...45oC
Humidity	< 85 % RH (Non Condensing)

Storage and Transport

Ambient Temperature	-5...65oC
Humidity	< 90 % RH (Non Condensing)

Weight

Including Packaging	250 grams
---------------------	-----------

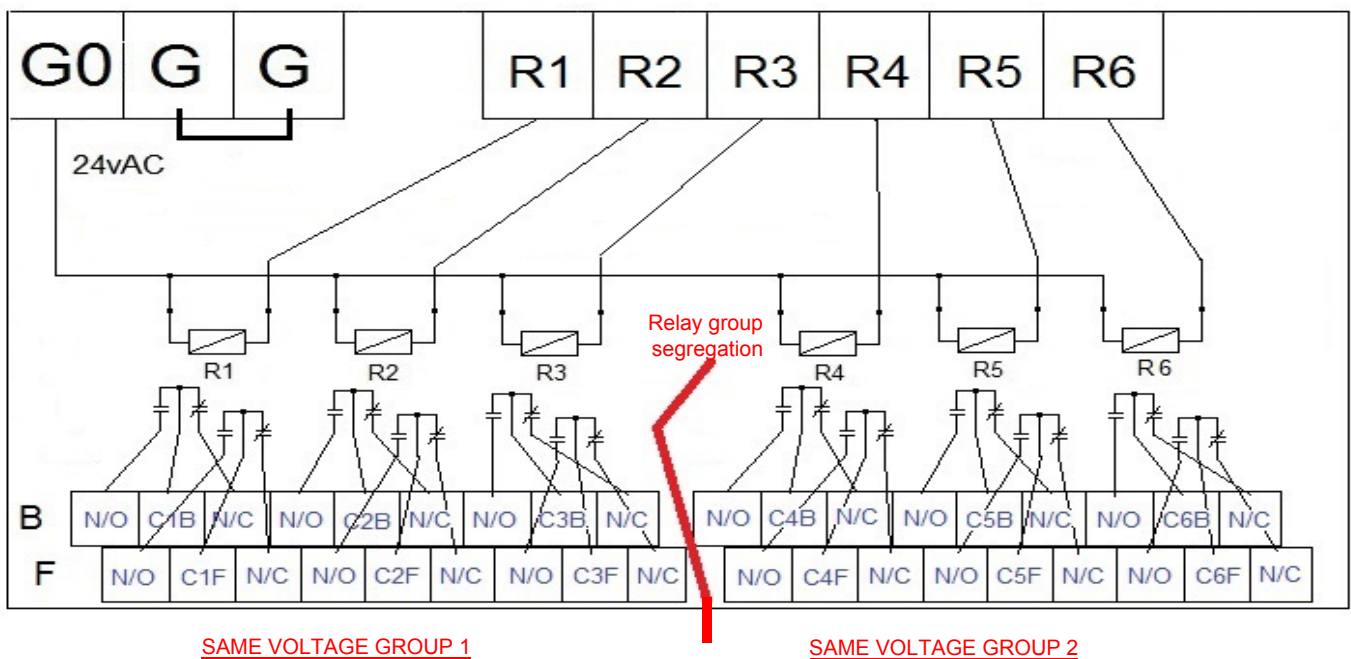
Housing

Colour	Green
Material	ABS POLYCARB
UV Stabilised	YES
Fire Retardant	YES
Size	L83mm x W68mm x D50mm
Mounting Method	35mm Din Rail Mountable

Terminal Designations

GO 24vAC NEUTRAL supply
 G 24vAC ACTIVE supply
 G 24vAC ACTIVE supply

R1 Relay 1 24v Active Control Input
 R2 Relay 2 24v Active Control Input
 R3 Relay 3 24v Active Control Input
 R4 Relay 4 24v Active Control Input
 R5 Relay 5 24v Active Control Input
 R6 Relay 6 24v Active Control Input



Relay 1 N/O Back Contact
 Relay 1 C1B Back Common
 Relay 1 N/C Back Contact
 Relay 1 N/O Front Contact
 Relay 1 C1F Front Common
 Relay 1 N/C Front Contact

Relay 2 N/O Back Contact
 Relay 2 C2B Back Common
 Relay 2 N/C Back Contact
 Relay 2 N/O Front Contact
 Relay 2 C2F Front Common
 Relay 2 N/C Front Contact

Relay 3 N/O Back Contact
 Relay 3 C3B Back Common
 Relay 3 N/C Back Contact
 Relay 3 N/O Front Contact
 Relay 3 C3F Front Common
 Relay 3 N/C Front Contact

Relay 4 N/O Back Contact
 Relay 4 C4B Back Common
 Relay 4 N/C Back Contact
 Relay 4 N/O Front Contact
 Relay 4 C4F Front Common
 Relay 4 N/C Front Contact

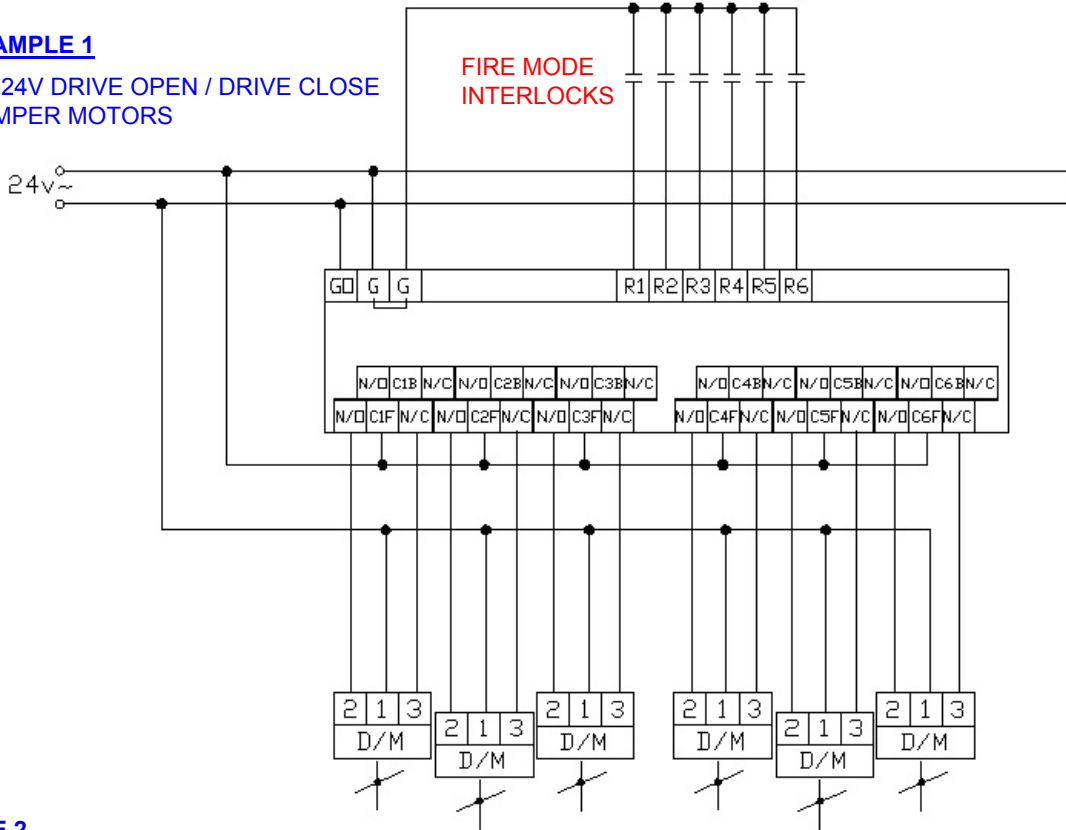
Relay 5 N/O Back Contact
 Relay 5 C5B Back Common
 Relay 5 N/C Back Contact
 Relay 5 N/O Front Contact
 Relay 5 C5F Front Common
 Relay 5 N/C Front Contact

Relay 6 N/O Back Contact
 Relay 6 C6B Back Common
 Relay 6 N/C Back Contact
 Relay 6 N/O Front Contact
 Relay 6 C6F Front Common
 Relay 6 N/C Front Contact

Application Examples

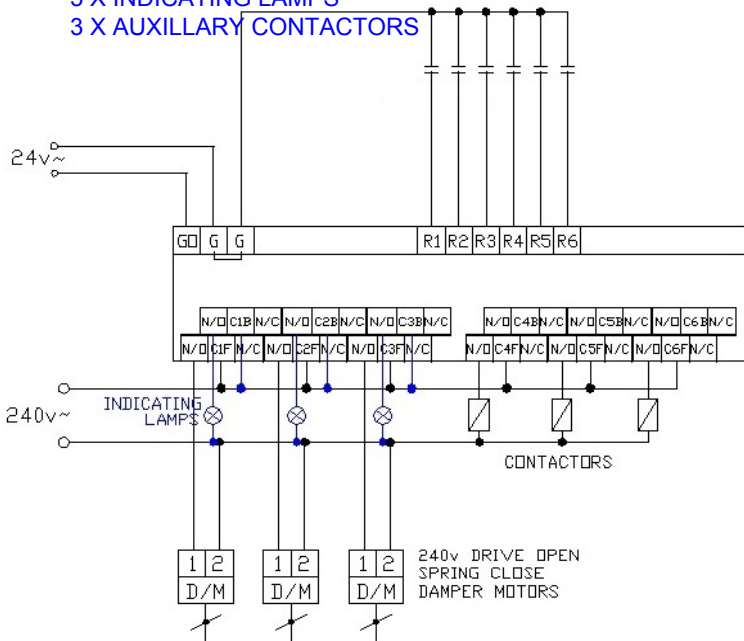
EXAMPLE 1

6 X 24V DRIVE OPEN / DRIVE CLOSE DAMPER MOTORS



EXAMPLE 2

3 X 240V S/R DAMPER MOTORS
3 X INDICATING LAMPS
3 X AUXILIARY CONTACTORS



EXAMPLE 3

3 X 240V S/R DAMPER MOTORS
3 X 24V S/R SHUT OFF VALVES

