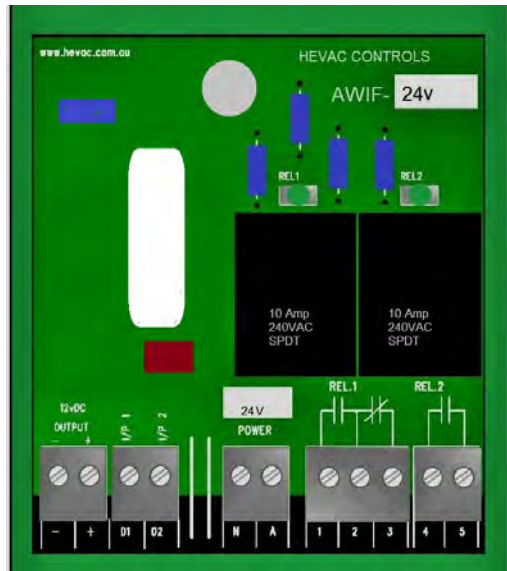


# HEVAC

## Control Agencies



^^ 12VDC OUTPUT  
^ ^ 12VDC SWITCH INPUTS  
^ ^ 24vac POWER  
^ ^ ^ ^ Potential free Relay 10A Contacts

## AWIF-24v 12VDC INTERFACE

(240v version also available)

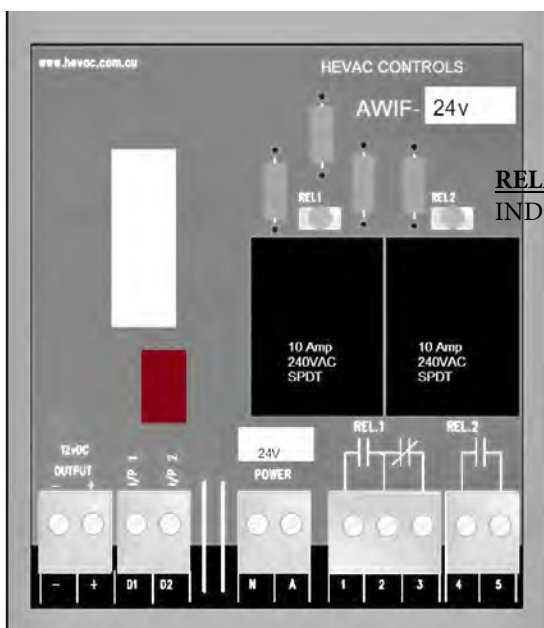
### 24vAC Powered 12vDC INTERFACE

- 24vAC Powered & Manufactured to Australian Standards.
- Indication Lamps for Relay Status.
- Potential Free 240v 10 Amp rated Relay Outputs
- 2 independent 12vDC circuits control circuits.
- Din rail mount low profile.

## Typical Application & notes :

Allows A/C units with only low voltage Run & Fault outputs to interface to 24 or 240vAC output circuits. If the A/C unit doesn't include an onboard 12vDC power supply to switch external 12vdc relays etc use the AWIF's 12vdc power supply to feed the A/C units run & fault output circuits, if the A/C does include a 12vdc power source, the outputs can simply be connected to the AWIF's D1 & D2 inputs, however the A/C's units 12vDC neutral & the AWIF's neutral connections would also need to be linked --see connection drawings.

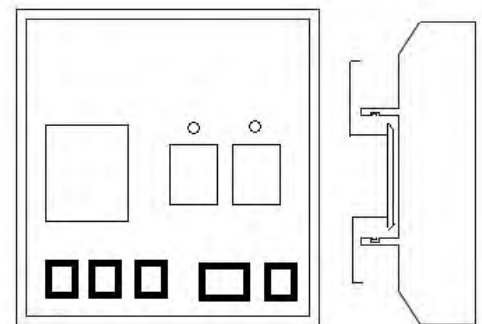
## ADJUSTMENTS & INDICATION LEGEND



**RELAY ON/OFF STATUS  
INDICATION LED**

VOLTAGE FREE RELAY  
C/O CONTACTS  
RATED AT MAX 10  
AMPS RESISTIVE (3A  
INDUCTIVE)

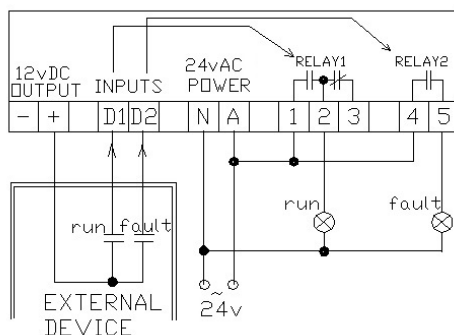
## DIMENTIONS



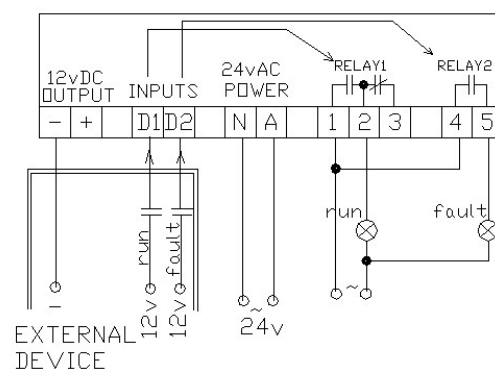
68mmW x 82mmHx50mmD

12vDC OUTPUT POWER  
INPUT 1  
INPUT 2  
24vAC MODULE POWER  
RELAY 1 SPDT  
RELAY 2 SPST

## ELECTRICAL CONNECTIONS



EXAMPLE CONNECTION WHEN NO  
EXTERNAL 12vDC POWER IS AVAILABLE  
FOR AWIF INPUTS



EXAMPLE CONNECTION WHEN  
EXTERNAL 12vDC POWER IS  
AVAILABLE FOR AWIF INPUTS