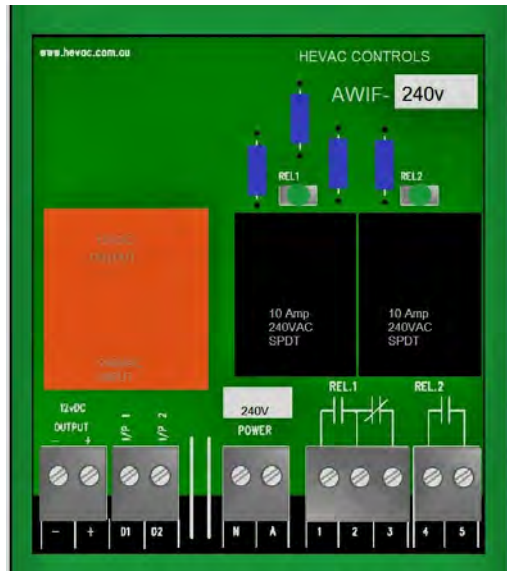


HEVAC

Control Agencies



^^ 12VDC OUTPUT
^ ^ 12VDC SWITCH INPUTS
^ ^ 240vac POWER
^ ^ ^ ^ ^ Potential free Relay 10A Contacts

AWIF-240v 12vDC INTERFACE

(24v version also available)

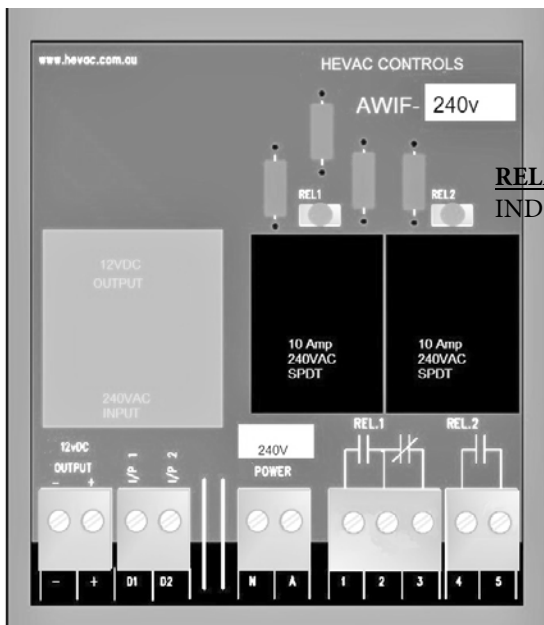
240vAC Powered 12vDC INTERFACE

- 240vAC Powered & Manufactured to Australian Standards.
- Indication Lamps for Relay Status.
- Potential Free 240v 10 Amp rated Relay Outputs
- 2 independent 12vDC circuits control circuits.
- Din rail mount low profile.

Typical Application & notes :

Allows A/C units with only low voltage Run & Fault outputs to interface to 24 or 240vAC output circuits. If the A/C unit doesn't include an onboard 12vDC power supply to switch external 12vdc relays etc use the AWIF's 12vdc power supply to feed the A/C units run & fault output circuits, if the A/C does include a 12vdc power source, the outputs can simply be connected to the AWIF's D1 & D2 inputs, however the A/C's units 12vDC neutral & the AWIF's neutral connections would also need to be linked --see connection drawings.

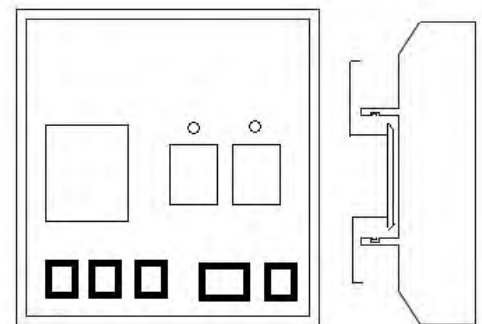
ADJUSTMENTS & INDICATION LEGEND



**RELAY ON/OFF STATUS
INDICATION LED**

VOLTAGE FREE RELAY
C/O CONTACTS
RATED AT MAX 10
AMPS RESISTIVE (3A
INDUCTIVE)

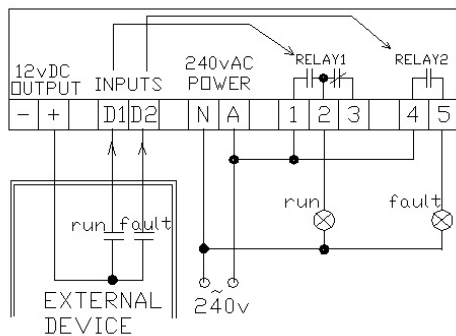
DIMENTIONS



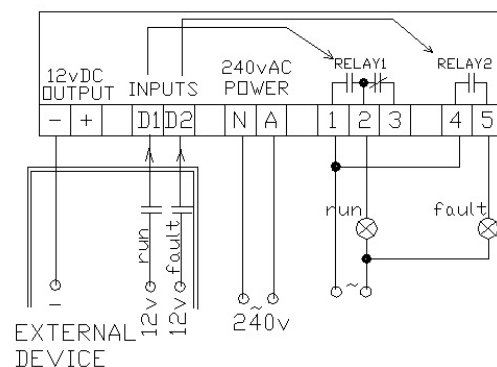
68mmW x 82mmHx50mmD

12vDC OUTPUT POWER
INPUT 1
INPUT 2
240vAC MODULE POWER
RELAY 1 SPDT
RELAY 2 SPST

ELECTRICAL CONNECTIONS



EXAMPLE CONNECTION WHEN NO
EXTERNAL 12vDC POWER IS
AVAILABLE FOR AWIF INPUTS



EXAMPLE CONNECTION WHEN
EXTERNAL 12vDC POWER IS
AVAILABLE FOR AWIF INPUTS