
HAFS SERIES



HAFS

DUCT MOUNTED ELECTRONIC AIR FLOW SENSOR

*The **HAFS** is a DUCT mountable Electronic Air Flow Sensor .*

It is suitable for use in commercial and domestic HVAC ventilation systems.

*Constructed from high impact ABS plastic, the **HAFS** can be used in all types of Ductwork.*

A 20mm Conduit entry is available on the bottom of the Housing, allowing for easy electrical installation with either solid or flexible conduit.

Features

- Australian made and designed.
- Suitable for mounting in all types of Ductwork.
- Housing designed with large flange for easier mounting.
- Electronic probe allows for fast or slow air flow sensing.
- IP 44 Enclosure Class Rating.
- Made from high impact UV stabilised Black ABS.
- No moving parts totally electronic.

HEAD OFFICE:

Factory 7
54 Howleys Road,
Notting Hill, Vic. 3168
Phone: (03) 9562 7888
Fax: (03) 9562 7835

VISIT OUR WEB SITE AT

www.hevac.com.au

EMAIL

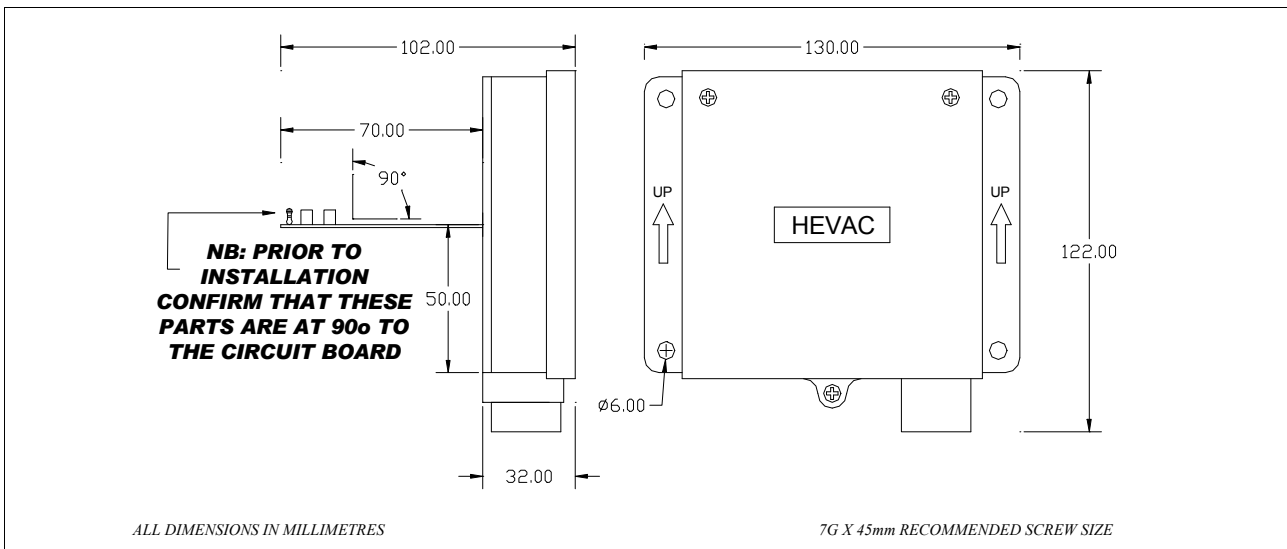
SALES: sales@hevac.com.au

TECHNICAL: technical@hevac.com.au

Technical Specifications

Probe Length	70 Millimetres
Duct Hole Size	25 Millimetres (Recommended)
Supply Voltage (Non Polarised on DC)	24 Volts AC or DC +10% -20%
Measuring Range	0.5 - 15 Metres per Second
Power Consumption	36 mA at 24 Volts AC 25 mA at 24Volts DC
Output Relay	240VAC SPDT 10 Amp Resistive
Power ON Time Delay (User Adjustable)	20-60 Seconds
Housing material	UV Stabilized ABS-Plastic
Housing Colour	Black
Enclosure Class Rating	IP 44
Cable Entry (Solid or Flexible Conduit)	20 Millimetre Conduit Entry
Green LED Indicator	Power ON
Red LED Indicator	Low Flow (Alarm Status)

Dimensions



Electrical Schematic

