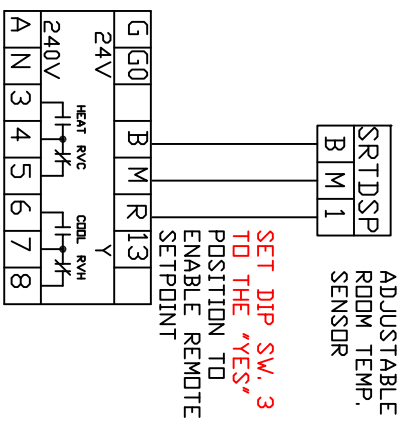


TYPICAL R/C SINGLE STAGE A/C UNIT

TYPICAL R/C SINGLE STAGE A/C UNIT

- OTHER NOTES :**
- 1) TO REPLACE EXISTING HTc2 CONTROL SYSTEM WITH A HTc3 , A NEW SENSOR WILL ALSO BE REQUIRED TYPE SRT-D.
 - 2) IF CONTROLLER IS POWERED BY 240V THEN USE 240V POWER SUPPLY TERMINALS INSTEAD OF 24V TERMINALS.
 - 3) IF EXISTING HTc2 USED AN ADJUSTABLE ROOM SENSOR TYPE SRTDSP WHICH STILL ONLY USED 2 WIRES, THEN TO CHANGE OVER TO USING HTc3 BUT WITH AN ADJUSTABLE SENSOR (TYPE SRT-DSP) AN ADDITIONAL FIELD WIRE WILL BE REQUIRED. IF THE EXISTING SENSOR WAS CONNECTED USING A 2 CORE SHIELDED CABLE THEN IT IS POSSIBLE TO USE THE SHIELD AS A 3RD WIRE USING THE SHIELD AS THE M (GROUND) CONNECTION.



REF:	DATE:	PROJECT REFERENCE:	HTC2 > HTC3 CHANGE OVER
DRAWN: TREVOR SWEETMAN	22/01/18	CONTRACTOR:	